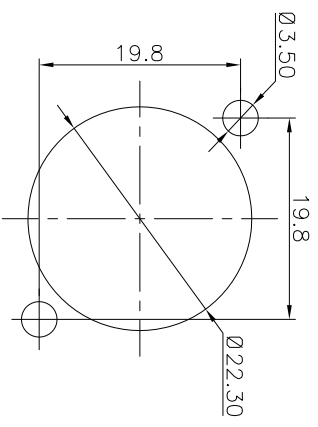
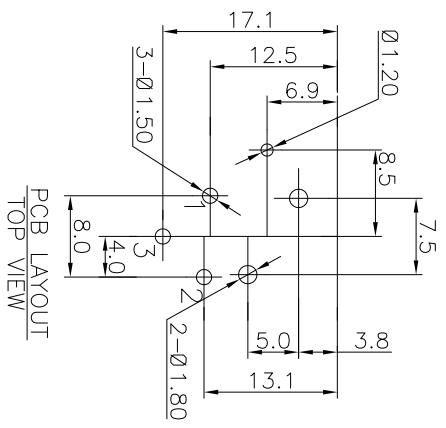
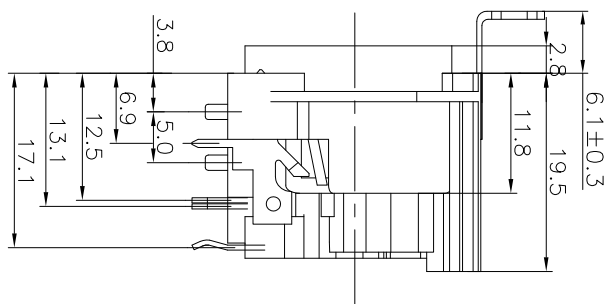
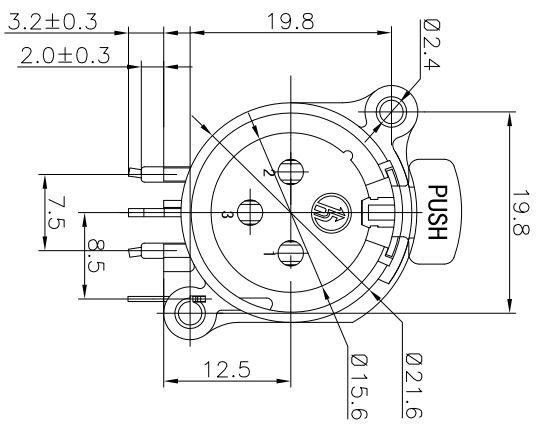


REV.	ECN NO.	MODIFIED MARK	APPROVED
A		FIRST RELEASE	




PANEL CUT OUT

- NOTES:
- ELECTRICAL:
- 1: RATED CURRENT: 6A Max.
 - 2: RATED VOLTAGE: 50V AC.
 - 3: CONTACT RESISTANCE: 30 MILLIOHMS Max.
- AFTER TESTING: 60 MILLIOHMS Max.
- 4: INSULATION RESISTANCE: 1G OHMS Min.
- 5: DIELECTRIC WITHSTANDING VOLTAGE: 500 VAC Min.
- MECHANICAL:
- 1: INSERTION FORCE: 5N-40N.
 - 2: WITHDRAWAL FORCE: 5N-40N.
 - 3: DURABILITY: 1000 CYCLES.
- ENVIRONMENTAL:
- TEMPERATURE RANGE: -30°C TO 80°C.

ANGLE	±5°
63 < L	±0.5
16 < L ≤ 63	±0.4
4 < L ≤ 16	±0.3
L ≤ 4	±0.2

MODEL NAME: SPF-22 (PART NO.)		TITLE: XLR CABLE CONNECTORS	
MAT'L:	DESIGN: X.H.Wong 08/31'18	DWG NO.:	
FINISH:	CHECKED: L.W.Wu 08/31'18	UNIT:	mm
Q'TY: /	APPROVED: X.Q.Hu 08/31'18	VIEW:	SCALE: 5:1
TOL TABLE:		SHEET:	1/1
THIS DOCUMENT IS THE PROPERTY OF TRENPRO TECHNOLOGY CO., LTD. NO PART THEREOF MAY BE REPRODUCED AND USED WITHOUT THE PRIOR WRITTEN CONSENT OF THE OWNER		SIZE:	A3
		REV.:	A


 广东正宝科技有限公司
 GUANGDONG TRENPRO TECHNOLOGY CO., LTD.