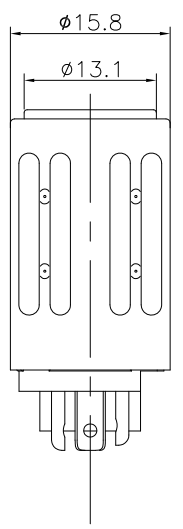
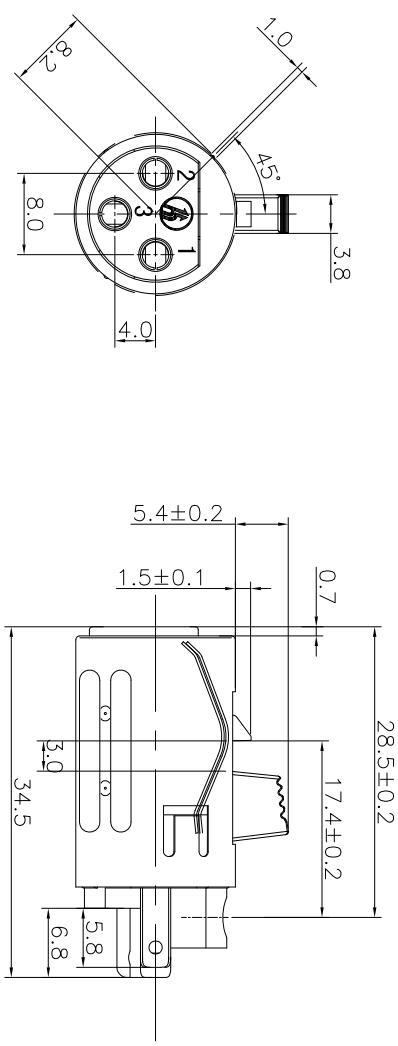
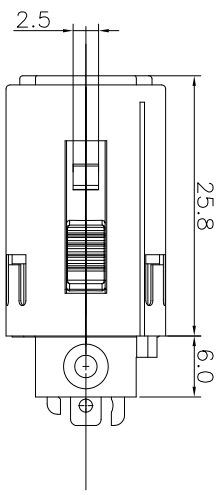



REV.	ECN NO.	MODIFIED MARK	APPROVED
A	—	FIRST RELEASE	



NOTES:
ELECTRICAL:
1: RATED CURRENT: 6A Max.
2: RATED VOLTAGE: 50V AC.
3: CONTACT RESISTANCE: 30 MILLIOHMS Max.
AFTER TESTING: 60 MILLIOHMS Max.
4: INSULATION RESISTANCE: 1G OHMS Min.
5: DIELECTRIC WITHSTANDING VOLTAGE: 500 VAC Min.
MECHANICAL:
1: INSERTION FORCE: 5N-40N.
2: WITHDRAWAL FORCE: 5N-40N.
3: DURABILITY: 1000 CYCLES.
ENVIRONMENTAL:
TEMPERATURE RANGE: -30°C TO 80°C.

ANGLE	±5°	MODEL NAME: SPF-13C (PART NO.)	 广东正宝科技有限公司 GUANGDONG TERAPRO TECHNOLOGY CO., LTD.
63 < L	±0.5	MAT'L: See table	
16 < L ≤ 63	±0.4	FINISH: See table	TITLE: XLR CABLE CONNECTORS DWG NO.:
4 < L ≤ 16	±0.3	Q'TY: /	
L ≤ 4	±0.2	APPROVED: X.Q.Hu 08/31'18	UNIT: mm

TOL TABLE:
THIS DOCUMENT IS THE PROPERTY OF TERAPRO TECHNOLOGY CO., LTD. NO PART THEREOF MAY BE REPRODUCED AND USED WITHOUT THE PRIOR WRITTEN CONSENT OF THE OWNER

SCALE: 5:1
SHEET: 1/1
SIZE: A3