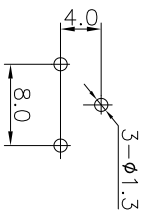
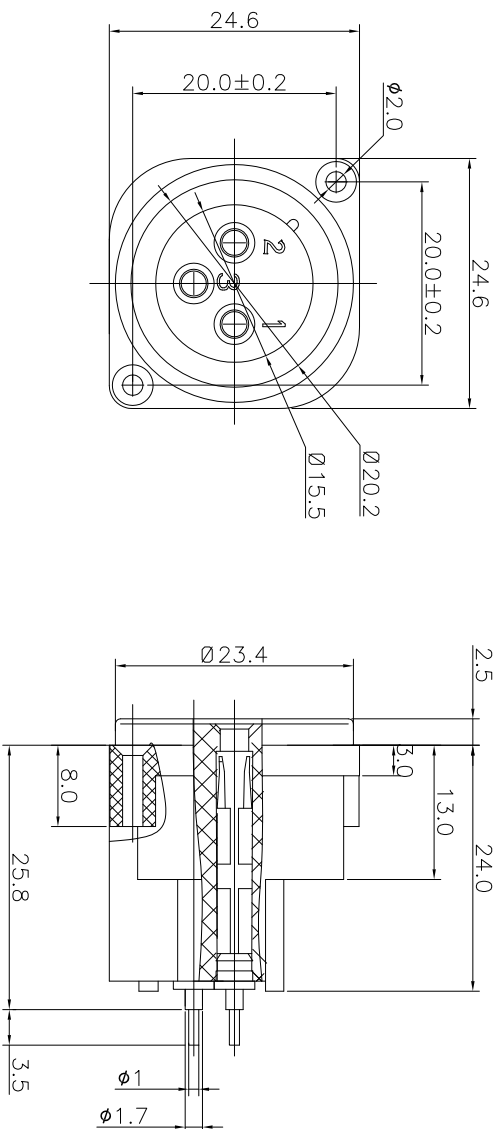
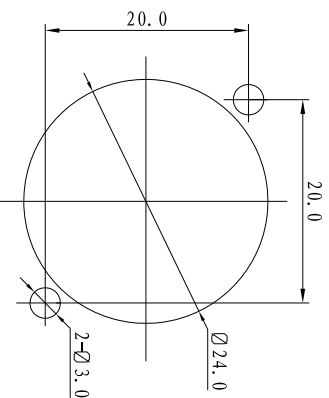


REV.	ECN NO.	MODIFIED MARK	APPROVED
A	—	FIRST RELEASE	



PCB LAYOUT
TOP VIEW



PANEL CUTOUT

NOTES:
ELECTRICAL:
1:RATED CURRENT: 6A Max.
2:RATED VOLTAGE: 50V AC.
3:CONTACT RESISTANCE: 30 MILLIOHMS Max.
AFTER TESTING:60 MILLIOHMS Max.
4:INSULATION RESISTANCE: 1G OHMS Min.
5:IELECTRIC WITHSTANDING VOLTAGE: 500 VAC Min.
MECHANICAL:
1:INSERTION FORCE: 5N-40N.
2:WITHDRAWAL FORCE: 5N-40N.
3:DURABILITY: 1000 CYCLES.
ENVIRONMENTAL:
TEMPERATURE RANGE: -30°C TO 80°C.

ANGLE	±5°
63 < L	±0.5
16 < L ≤ 63	±0.4
4 < L ≤ 16	±0.3
L ≤ 4	±0.2

TOL TABLE:
THIS DOCUMENT IS THE PROPERTY OF TERPRO TECHNOLOGY CO.,LTD.,NO PART THEREOF MAY BE REPRODUCED AND USED WITHOUT THE PRIOR WRITTEN CONSENT OF THE OWNER

MODEL NAME: SPF-09B
(PART NO.)

广东正宝科技有限公司
GUANGDONG TERPRO TECHNOLOGY CO.,LTD.

DESIGN: X.H.Wong 08/31'18 TITLE: XLR CABLE CONNECTORS

CHECKED: L.W.Wu 08/31'18 DWG NO.:
QTY: /
APPROVED: X.Q.Hu 08/31'18 UNIT: mm VIEW: SCALE: SHEET: REV.:
5:1 1/1 A

APPROVED: X.Q.Hu 08/31'18 UNIT: mm VIEW: SCALE: SHEET: REV.:
5:1 1/1 A