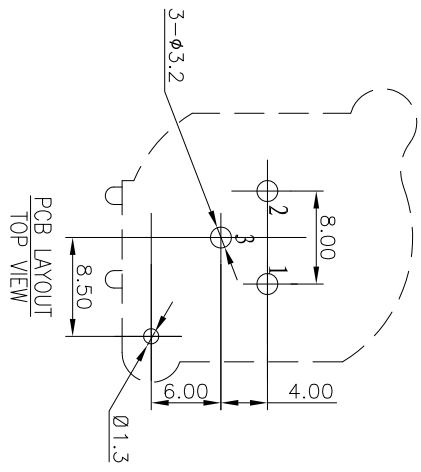
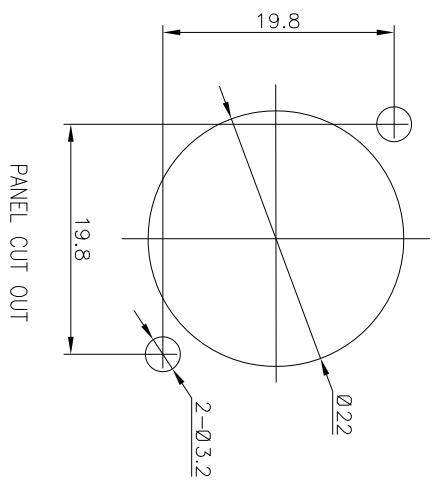
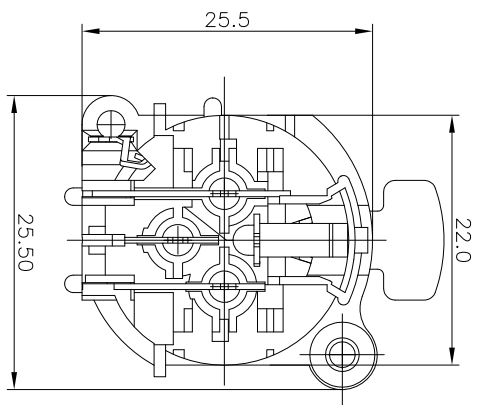
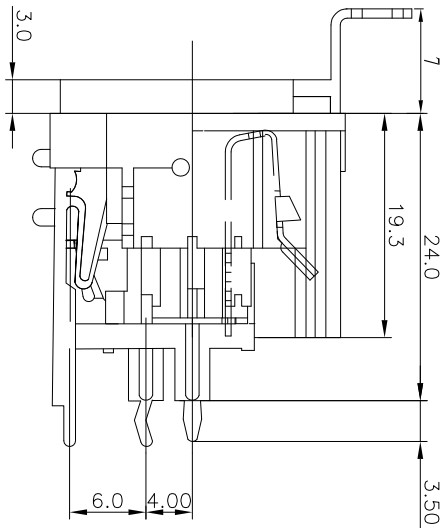
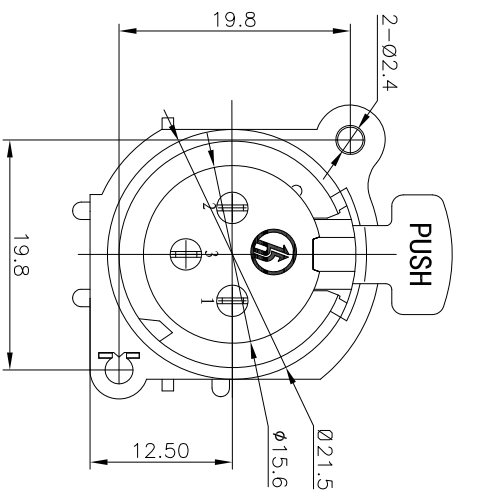


|        |         |               |          |
|--------|---------|---------------|----------|
| REV. A | ECN NO. | MODIFIED MARK | APPROVED |
|        |         | FIRST RELEASE |          |



- NOTES:
- ELECTRICAL:
- 1:RATED CURRENT: 6A Max.
  - 2:RATED VOLTAGE: 50V AC.
  - 3:CONTACT RESISTANCE: 30 MILLIOHMS Max.
  - 4:INSULATION RESISTANCE: 60 MILLIOHMS Max.
  - 5:DIELECTRIC WITHSTANDING VOLTAGE: 500 VAC Min.
- MECHANICAL:
- 1:INSERTION FORCE: 5N-40N.
  - 2:WITHDRAWAL FORCE: 5N-40N.
  - 3:DURABILITY: 1000 CYCLES.
- ENVIRONMENTAL:
- TEMPERATURE RANGE: -30°C TO 80°C.

|             |      |
|-------------|------|
| ANGLE       | ±5°  |
| 63 < L      | ±0.5 |
| 16 < L ≤ 63 | ±0.4 |
| 4 < L ≤ 16  | ±0.3 |
| L ≤ 4       | ±0.2 |

|  |                             |
|--|-----------------------------|
| TOL TABLE:   |                             |
| THIS DOCUMENT IS THE PROPERTY OF TRENPRO TECHNOLOGY CO., LTD., NO PART THEREOF MAY BE REPRODUCED AND USED WITHOUT THE PRIOR WRITTEN CONSENT OF THE OWNER |                             |
| MODEL NAME: SPF-07J<br>(PART NO.)  | MAT'L: See table            |
| DESIGN: X.H.Wong 08/16'18  | TITLE: XLR CABLE CONNECTORS |
| CHECKED: L.W.Wu 08/16'18   | DWG NO.:                    |
| APPROVED: Q.Hu 08/16'18  | UNIT: mm                    |
| Q'TY: /  | VIEW: 5:1                   |
| SCALE: SHEET: 1/1  | SIZE: A3                    |
| REV.: A  |                             |

