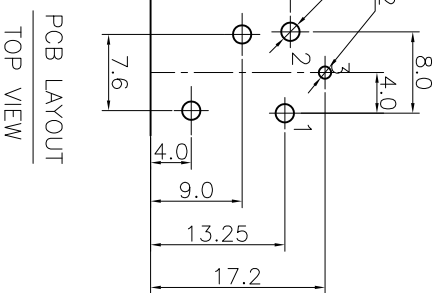
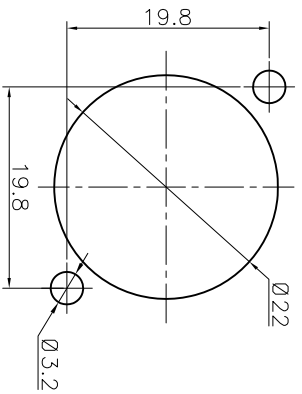
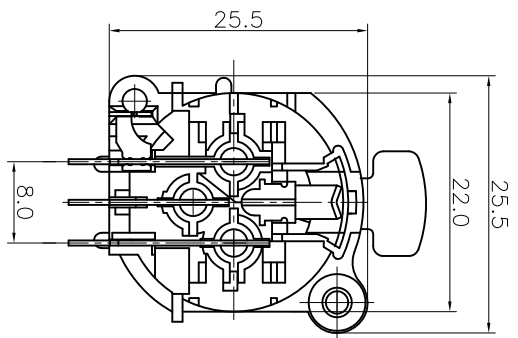
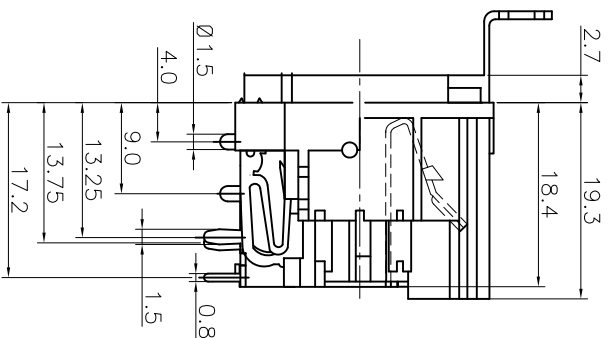
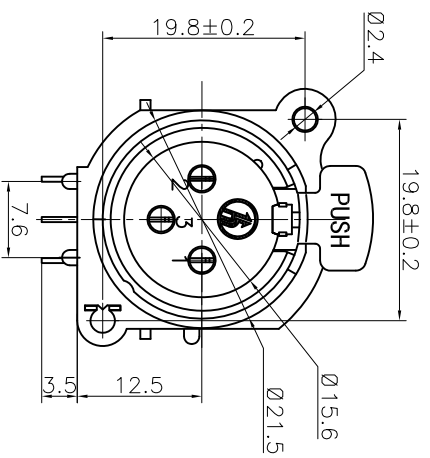


REV. A	ECN NO.	MODIFIED MARK	APPROVED
		FIRST RELEASE	



- NOTES:
- ELECTRICAL:
- 1: RATED CURRENT: 6A Max.
  - 2: RATED VOLTAGE: 50V AC.
  - 3: CONTACT RESISTANCE: 30 MILLIOHMS Max.
  - AFTER TESTING: 60 MILLIOHMS Max.
- MECHANICAL:
- 1: INSERTION FORCE: 5N-40N.
  - 2: WITHDRAWAL FORCE: 5N-40N.
  - 3: DURABILITY: 1000 CYCLES.
- ENVIRONMENTAL:
- TEMPERATURE RANGE: -30°C TO 80°C.

PANEL CUTOUT

PCB LAYOUT  
TOP VIEW

ANGLE	±5°	MODEL NAME: SPF-07NP	 广东正宝科技有限公司 GUANGDONG TRENPPO TECHNOLOGY CO., LTD.
63 < L	±0.5	(PART NO.)	
16 < L ≤ 63	±0.4	DESIGN: X.H.Wong 08/31'18	TITLE: XLR CABLE CONNECTORS
4 < L ≤ 16	±0.3	MAT'L: See table	DWG NO.:
L ≤ 4	±0.2	FINISH: See table	UNIT: mm
TOL TABLE:		CHECKED: L.W.Wu 08/31'18	VIEW: 5:1
THIS DOCUMENT IS THE PROPERTY OF TRENPPO TECHNOLOGY CO., LTD. NO PART THEREOF MAY BE REPRODUCED AND USED WITHOUT THE PRIOR WRITTEN CONSENT OF THE OWNER		APPROVED: X.Q.Hu 08/31'18	SCALE: SHEET: 1/1
			SIZE: A3
			REV.: A