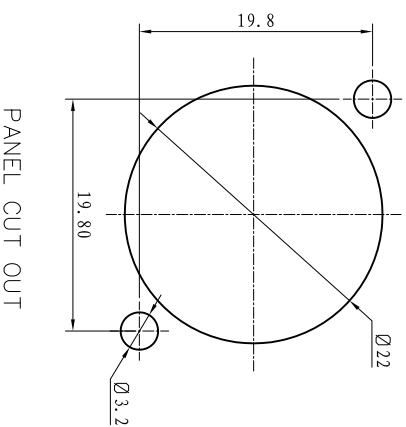
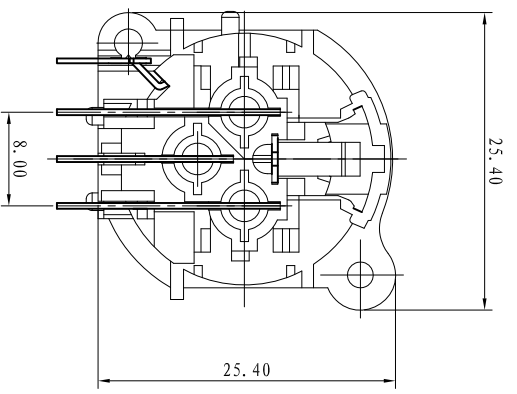
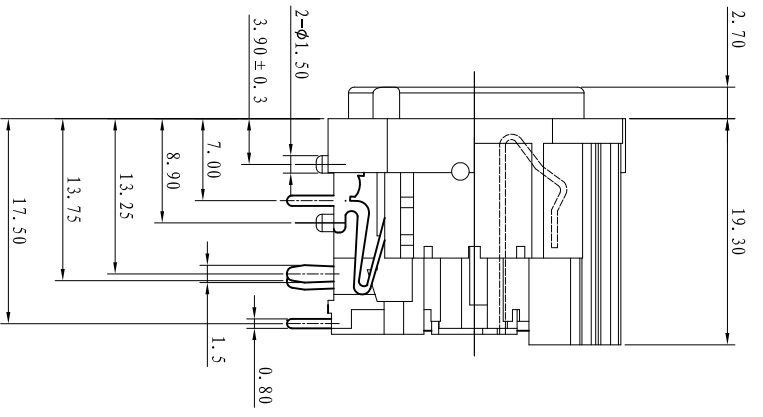
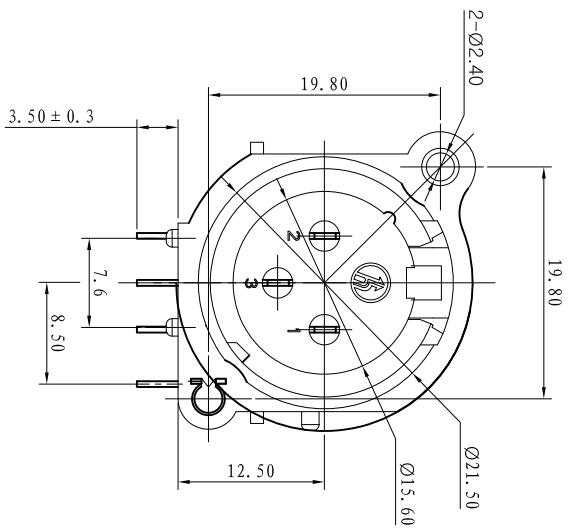
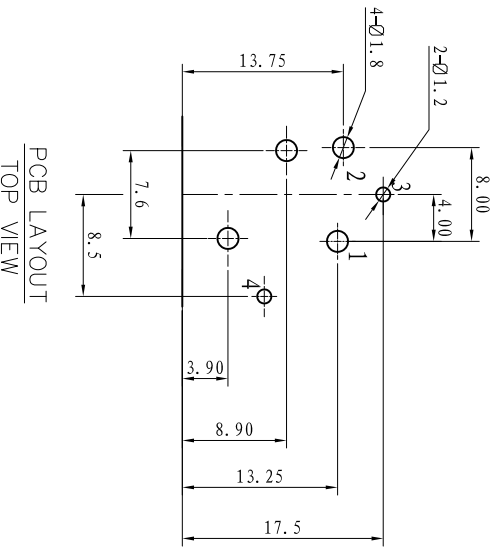


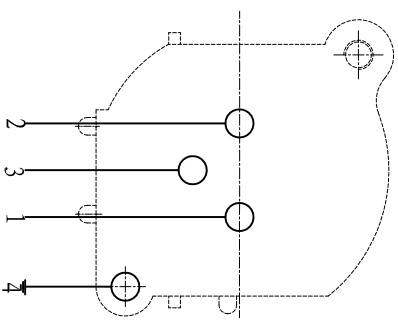
REV. A	ECN NO.	MODIFIED MARK	APPROVED
		FIRST RELEASE	



PANEL CUT OUT



PCB LAYOUT  
TOP VIEW



SCHEMATIC

- NOTES:
- ELECTRICAL:
- 1: RATED CURRENT: 3A Max.
  - 2: RATED VOLTAGE: 50V AC.
  - 3: CONTACT RESISTANCE: 30 MILLIOHMS Max.
  - AFTER TESTING: 60 MILLIOHMS Max.
  - 4: INSULATION RESISTANCE: 1G OHMS Min.
  - 5: DIELECTRIC WITHSTANDING VOLTAGE: 500 VAC Min.
- MECHANICAL:
- 1: INSERTION FORCE: 5N-40N.
  - 2: WITHDRAWAL FORCE: 5N-40N.
  - 3: DURABILITY: 1000 CYCLES.
- ENVIRONMENTAL:
- TEMPERATURE RANGE: -30°C TO 80°C.

ANGLE	±5°
63 < L	±0.5
16 < L ≤ 63	±0.4
4 < L ≤ 16	±0.3
L ≤ 4	±0.2

MODEL NAME: SPF-07M (PART NO.)		TITLE: XLR CABLE CONNECTORS	
DESIGN: Z.F.Lion 08/14/18		DWG NO.:	
FINISH: See table		VIEW: 5:1	
Q'TY: /		SCALE: SHEET: 1/1	
APPROVED: Q.Hu 08/14/18		SIZE: A3	

TOL. TABLE:

THIS DOCUMENT IS THE PROPERTY OF ZHENQI ELECTRONICS CO., LTD. AND IT IS NOT TO BE REPRODUCED OR USED WITHOUT THE PRIOR WRITTEN CONSENT OF THE OWNER.

广东正宝科技有限公司  
GUANGDONG ZHENQI TECHNOLOGY CO., LTD.