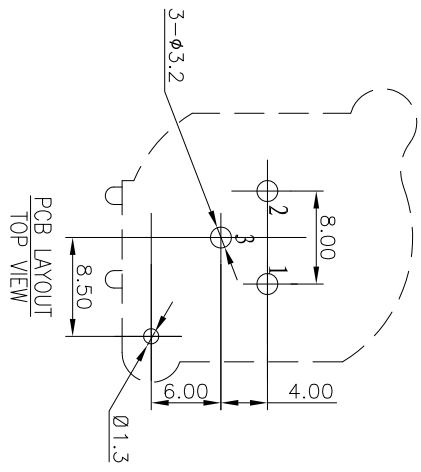
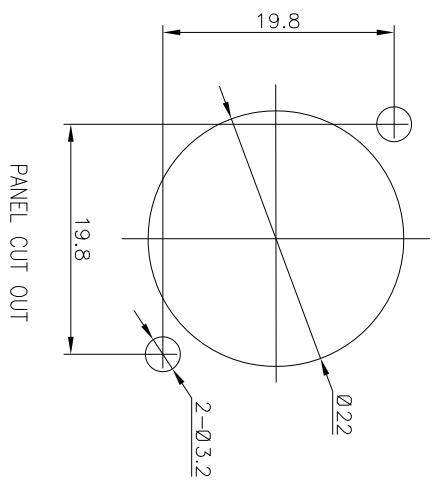
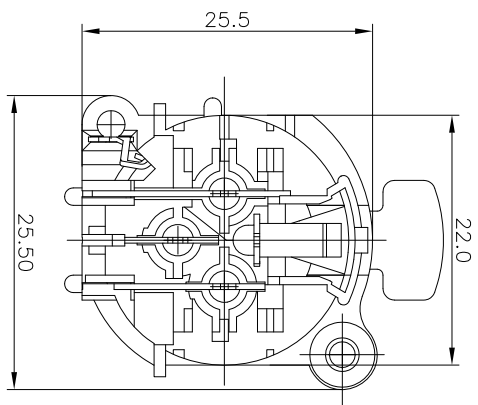
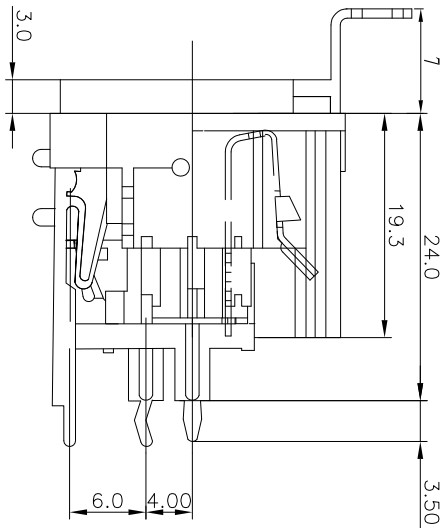
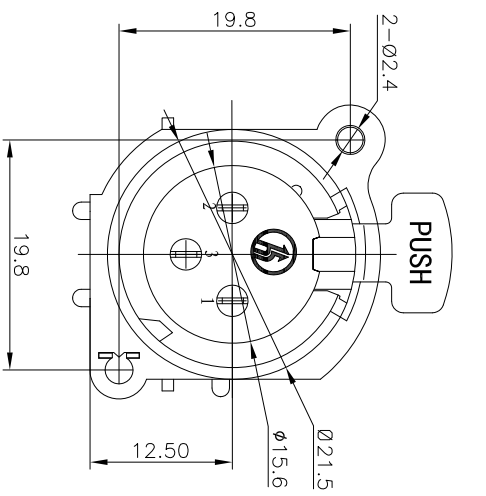


REV. A	ECN NO.	MODIFIED MARK	APPROVED
		FIRST RELEASE	



- NOTES:
- ELECTRICAL:
- 1:RATED CURRENT: 6A Max.
  - 2:RATED VOLTAGE: 50V AC.
  - 3:CONTACT RESISTANCE: 30 MILLIOHMS Max.
  - 4:INSULATION RESISTANCE: 60 MILLIOHMS Max.
  - 5:DIELECTRIC WITHSTANDING VOLTAGE: 500 VAC Min.
- MECHANICAL:
- 1:INSERTION FORCE: 5N-40N.
  - 2:WITHDRAWAL FORCE: 5N-40N.
  - 3:DURABILITY: 1000 CYCLES.
- ENVIRONMENTAL:
- TEMPERATURE RANGE: -30°C TO 80°C.

ANGLE	±5°	MODEL NAME: SPF-07H	 广东正宝科技有限公司 GUANGDONG TREMPRO TECHNOLOGY CO. LTD.	TITLE: XLR CABLE CONNECTORS	REV.: A
63 < L	±0.5	(PART NO.)			
16 < L ≤ 63	±0.4				
4 < L ≤ 16	±0.3				
L ≤ 4	±0.2				
TOL TABLE:		MAT'L: See table			
		FINISH: See table			
		Q'TY: /			
		APPROVED: X.Hu	DATE: 08/16/18	UNIT: mm	VIEW: 5:1
		CHECKED: L.W.Wu	DATE: 08/16/18	DWG NO.:	SCALE: SHEET: 1/1
		DESIGN: X.H.Wong	DATE: 08/16/18		SIZE: A3

1 2 3 4 5 6 7 8

A B C D E F G H