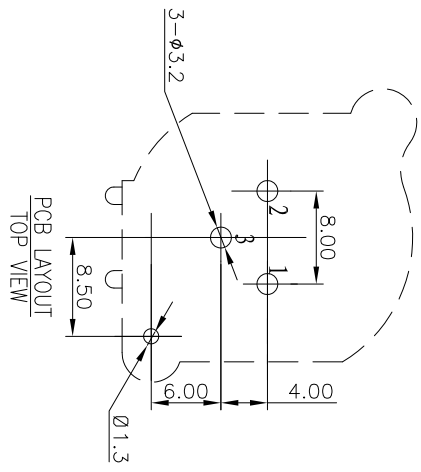
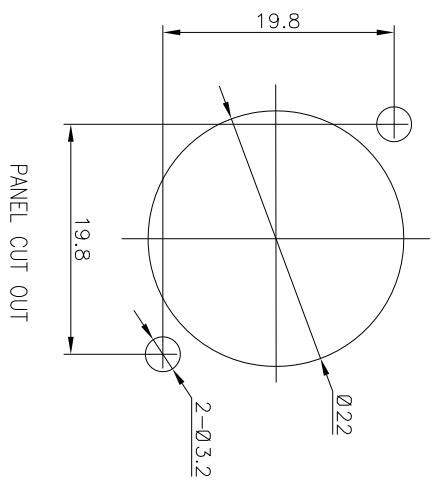
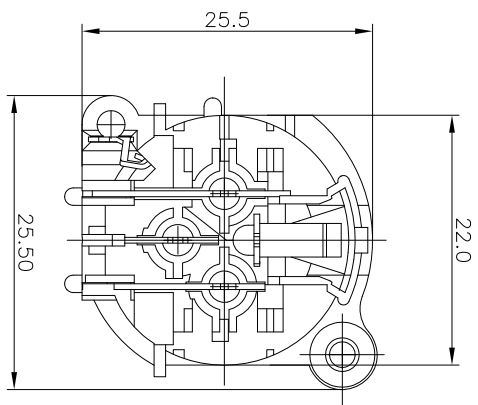
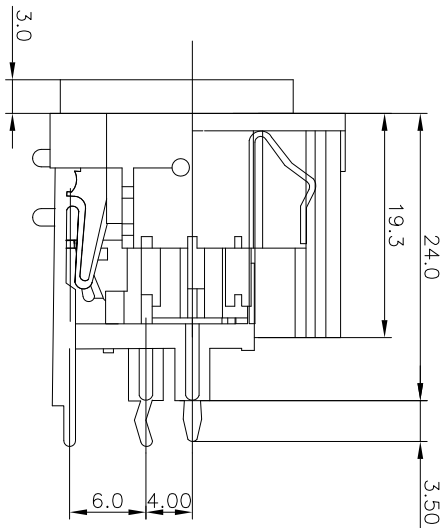
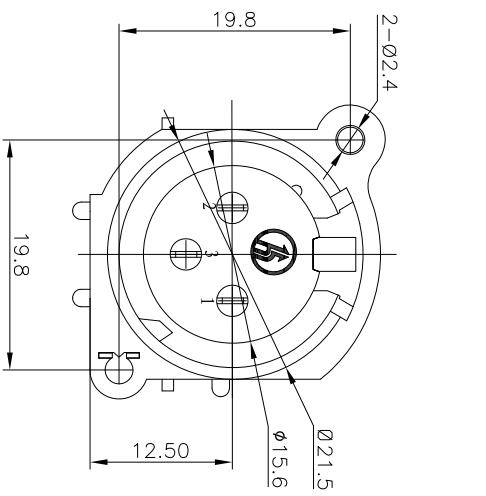


REV. A	ECN NO.	MODIFIED MARK	APPROVED
		FIRST RELEASE	



- NOTES:
- ELECTRICAL:
- 1:RATED CURRENT: 6A Max.
 - 2:RATED VOLTAGE: 50V AC.
 - 3:CONTACT RESISTANCE: 30 MILLIOHMS Max.
 - 4:INSULATION RESISTANCE: 60 MILLIOHMS Max.
 - 5:DIELECTRIC WITHSTANDING VOLTAGE: 500 VAC Min.
- MECHANICAL:
- 1:INSERTION FORCE: 5N-40N.
 - 2:WITHDRAWAL FORCE: 5N-40N.
 - 3:DURABILITY: 1000 CYCLES.
- ENVIRONMENTAL:
- TEMPERATURE RANGE: -30°C TO 80°C.

ANGLE	±5°
63 < L	±0.5
16 < L ≤ 63	±0.4
4 < L ≤ 16	±0.3
L ≤ 4	±0.2

TOL TABLE:	
THIS DOCUMENT IS THE PROPERTY OF TRENPRO TECHNOLOGY CO., LTD., NO PART THEREOF MAY BE REPRODUCED AND USED WITHOUT THE PRIOR WRITTEN CONSENT OF THE OWNER	
MODEL NAME: SPF-07F (PART NO.)	MAT'L: See table
DESIGN: X.H.Wong 08/16'18	TITLE: XLR CABLE CONNECTORS
CHECKED: L.W.Wu 08/16'18	DWG NO.:
APPROVED: Q.Hu 08/16'18	UNIT: mm
Q'TY: /	VIEW: 5:1
	SCALE: SHEET: 1/1
	SIZE: A3
	REV.: A

广东正宝科技有限公司
GUANGDONG TRENPRO TECHNOLOGY CO. LTD.