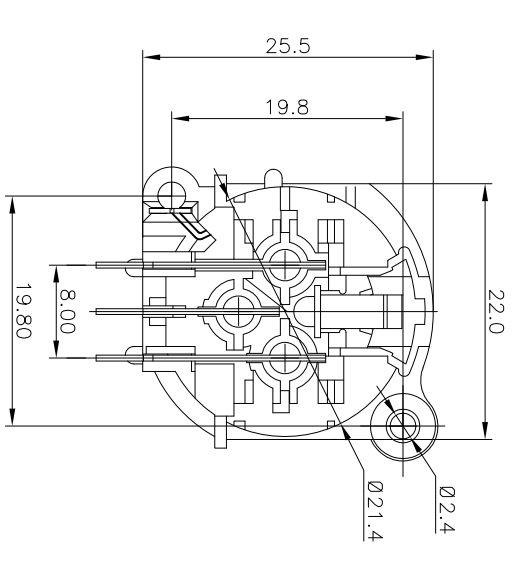
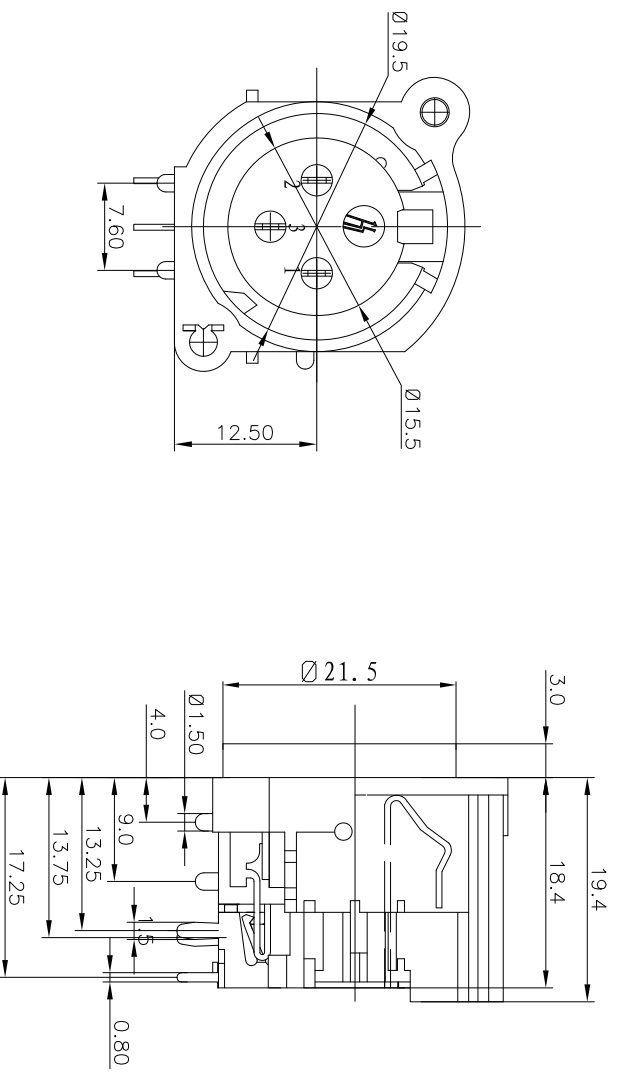
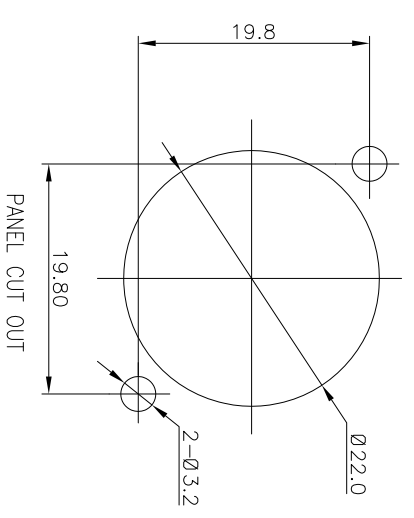
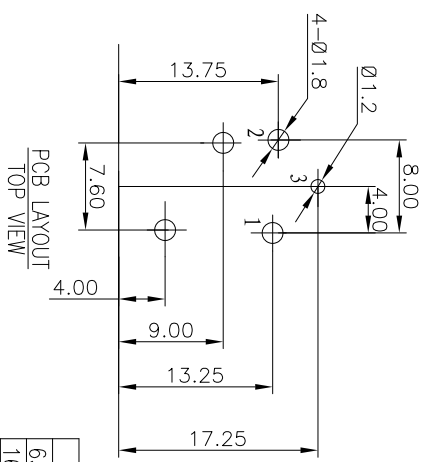


REV.	ECN NO.	MODIFIED MARK	APPROVED
A		FIRST RELEASE	



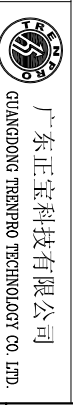
NOTES:  
ELECTRICAL:  
1:RATED CURRENT: 6A Max.  
2:RATED VOLTAGE: 50V AC.  
3:CONTACT RESISTANCE: 30 MILLIOHMS Max.  
AFTER TESTING:60 MILLIOHMS Max.  
4:INSULATION RESISTANCE: 1G OHMS Min.  
5:DIELECTRIC WITHSTANDING VOLTAGE: 500 VAC Min.  
MECHANICAL:  
1:INSERTION FORCE: 5N-40N.  
2:WITHDRAWAL FORCE: 5N-40N.  
3:DURABILITY: 1000 CYCLES.  
ENVIRONMENTAL:  
TEMPERATURE RANGE: -30°C TO 80°C.



ANGLE	±5°
63 < L	±0.5
16 < L ≤ 63	±0.4
4 < L ≤ 16	±0.3
L ≤ 4	±0.2

TOL TABLE:  
THIS DOCUMENT IS THE PROPERTY OF  
TRENPRO TECHNOLOGY CO., LTD., NO PART  
HEREOF MAY BE REPRODUCED AND  
USED WITHOUT THE PRIOR WRITTEN  
CONSENT OF THE OWNER

MODEL NAME: SPF-07A  
(PART NO.)



广东正宝科技有限公司  
GUANGDONG TRENPRO TECHNOLOGY CO. LTD.

DESIGN: X.H.Wong 08/16/18 TITLE: XLR CABLE CONNECTORS

CHECKED: L.W.Wu 08/16/18 DWG NO.:

APPROVED: Q.Hu 08/16/18 UNIT: mm VIEW: SCALE: SHEET: SIZE: REV.:  
QTY: / See table APPROVED: Q.Hu 08/16/18 UNIT: mm VIEW: SCALE: SHEET: SIZE: REV.:  
A