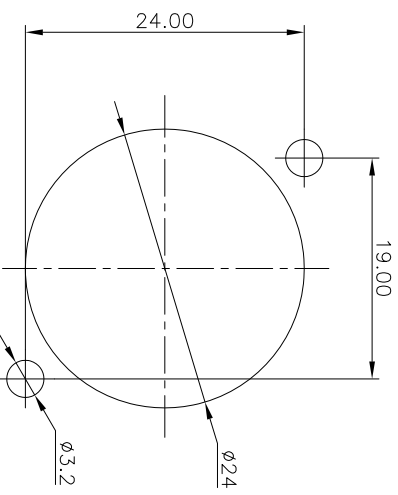
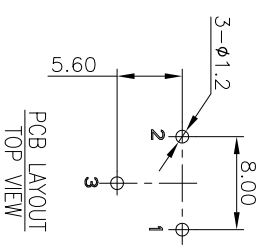
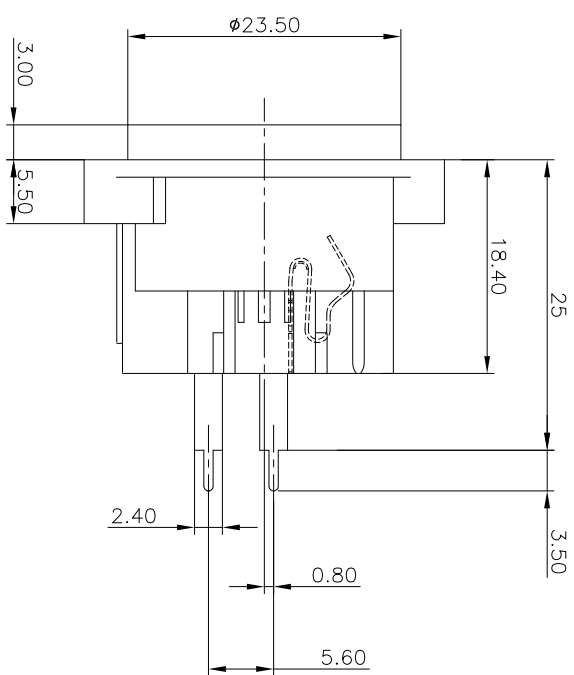
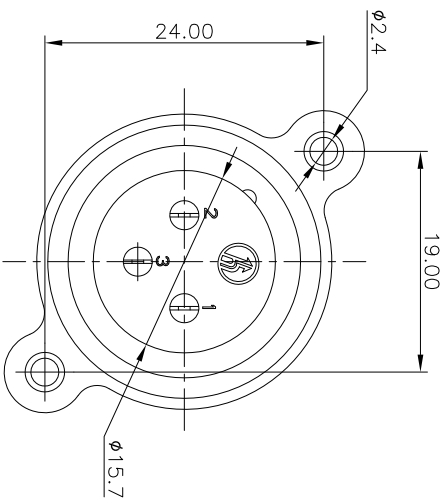


REV.	ECN NO.	MODIFIED MARK	APPROVED
A		FIRST RELEASE	



PANEL CUT OUT

- NOTES:
- ELECTRICAL:
- 1: RATED CURRENT: 6A Max.
 - 2: RATED VOLTAGE: 50V AC.
 - 3: CONTACT RESISTANCE: 30 MILLIOHMS Max.
 - 4: INSULATION RESISTANCE: 1G OHMS Min.
 - 5: DIELECTRIC WITHSTANDING VOLTAGE: 500 VAC Min.
- MECHANICAL:
- 1: INSERTION FORCE: 5N-40N.
 - 2: WITHDRAWAL FORCE: 5N-40N.
 - 3: DURABILITY: 1000 CYCLES.
- ENVIRONMENTAL:
- TEMPERATURE RANGE: -30°C TO 80°C.

ANGLE	±5°	MODEL NAME: SPF-06F	 广东正宝科技有限公司 GUANGDONG TREMPRO TECHNOLOGY CO. LTD.	TITLE: XLR CABLE CONNECTORS	REV.: A
63 < L	±0.5	(PART NO.)			
16 < L ≤ 63	±0.4	DESIGN: X.H.Wong 08/16/18	DWG NO.:	UNIT: mm	SCALE: 5:1
4 < L ≤ 16	±0.3	CHECKED: L.W.Wu 08/16/18			
L ≤ 4	±0.2	FINISH: See table	QTY: /	APPROVED: Q.Hu 08/16/18	VIEW:
TOL TABLE:		See table			
THIS DOCUMENT IS THE PROPERTY OF TREMPRO TECHNOLOGY CO. LTD. NO PART THEREOF MAY BE REPRODUCED AND USED WITHOUT THE PRIOR WRITTEN CONSENT OF THE OWNER					