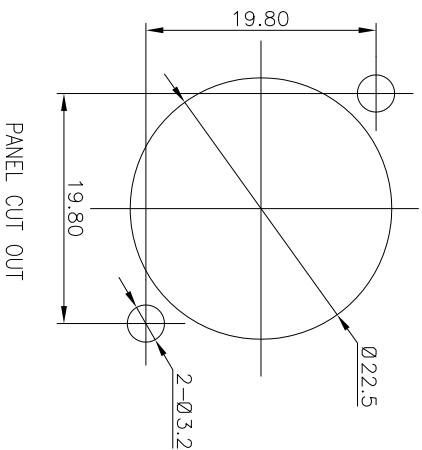
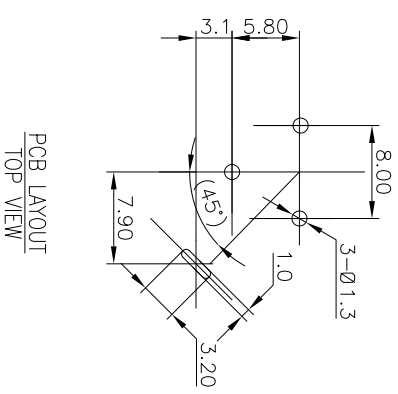
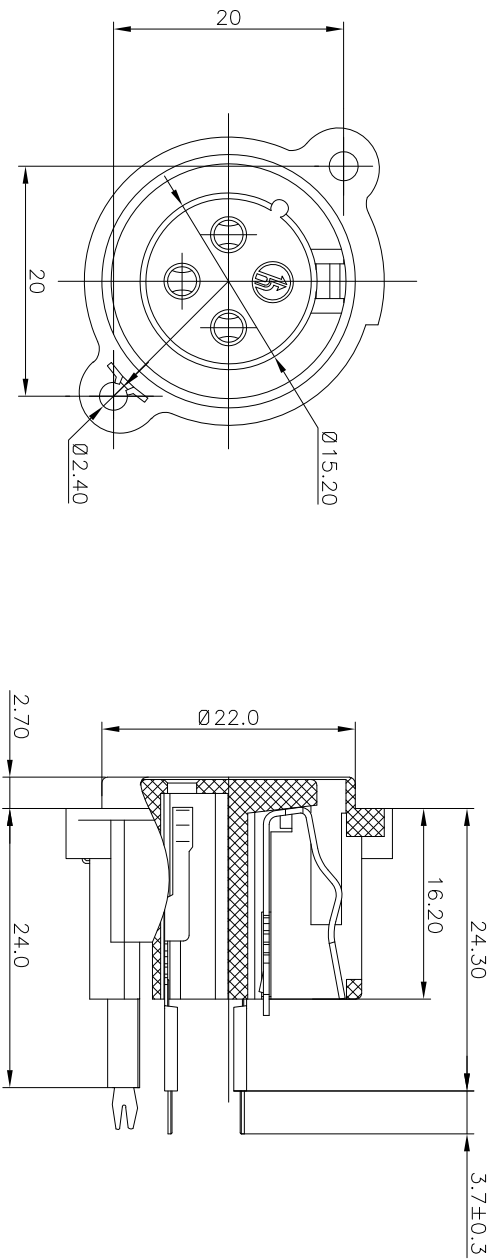


REV.	ECN NO.	MODIFIED MARK	APPROVED
A		FIRST RELEASE	



- NOTES:
- ELECTRICAL:
- 1:RATED CURRENT: 6A Max.
  - 2:RATED VOLTAGE: 50V AC.
  - 3:CONTACT RESISTANCE: 30 MILLIOHMS Max.
  - 4:INSULATION RESISTANCE: 1G OHMS Min.
  - 5:DIELECTRIC WITHSTANDING VOLTAGE: 500 VAC Min.
- MECHANICAL:
- 1:INSERTION FORCE: 5N-40N.
  - 2:WITHDRAWAL FORCE: 5N-40N.
  - 3:DURABILITY: 1000 CYCLES.
- ENVIRONMENTAL:
- TEMPERATURE RANGE: -30°C TO 80°C.

ANGLE	±5°
63 < L	±0.5
16 < L ≤ 63	±0.4
4 < L ≤ 16	±0.3
L ≤ 4	±0.2

TOL TABLE:		THIS DOCUMENT IS THE PROPERTY OF TRENPRO TECHNOLOGY CO., LTD., NO PART HEREOF MAY BE REPRODUCED AND USED WITHOUT THE PRIOR WRITTEN CONSENT OF THE OWNER	
MODEL NAME:	SPF-06E		
(PART NO.)			
MAT'L:	See table	DESIGN:	X.H.Wong 08/16'18
FINISH:	See table	CHECKED:	L.W.Wu 08/16'18
Q'TY./:		APPROVED:	Q.Hu 08/16'18
TITLE: XLR CABLE CONNECTORS		UNIT:	mm
DWG NO.:		VIEW:	5:1
REV.:		SHEET:	1/1
A		SIZE:	A3

广东正宝科技有限公司  
GUANGDONG TRENPRO TECHNOLOGY CO. LTD.