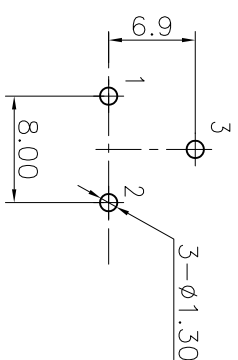
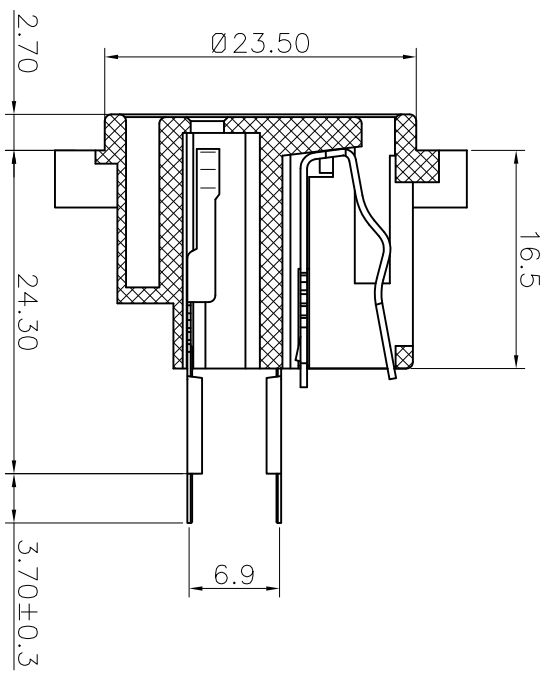
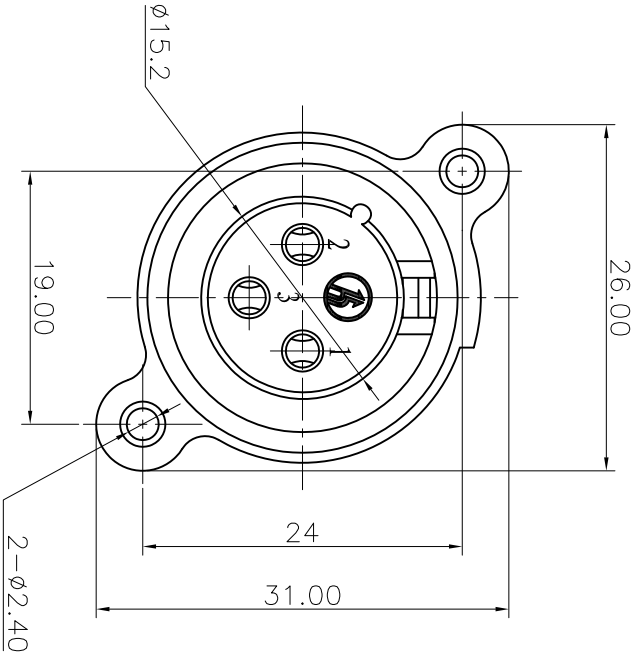
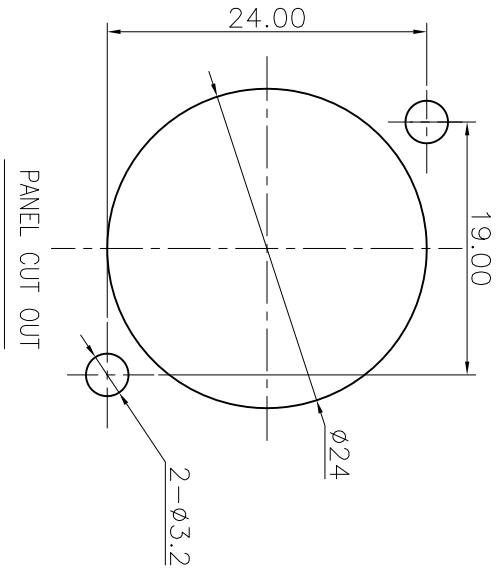


REV.	ECN NO.	MODIFIED MARK	APPROVED
A	—	FIRST RELEASE	



PCB LAYOUT  
TOP VIEW



- NOTES:
- ELECTRICAL:
- 1:RATED CURRENT: 6A Max.
  - 2:RATED VOLTAGE: 50V AC.
  - 3:CONTACT RESISTANCE: 30 MILLIOHMS Max.
  - 4:INSULATION RESISTANCE: 1G OHMS Min.
  - 5:DIELECTRIC WITHSTANDING VOLTAGE: 500 VAC Min.
- MECHANICAL:
- 1:INSERTION FORCE: 5N-40N.
  - 2:WITHDRAWAL FORCE: 5N-40N.
  - 3:DURRABILITY: 1000 CYCLES.
- ENVIRONMENTAL:
- TEMPERATURE RANGE: -30°C TO 80°C.

ANGLE	±5°	MODEL NAME: SPF-06C (PART NO.)	TITLE: XLR CABLE CONNECTORS	REV.: A
63 < L	±0.5	MAT'L: See table	DWG NO:	
16 < L ≤ 63	±0.4	FINISH: See table	CHECKED: L.W.Wu	10/5/18
4 < L ≤ 16	±0.3	Q'TY: /	DESIGN: X.H.Wang	10/5/18
L ≤ 4	±0.2	APPROVED: X.Q.Hu	CHECKED: L.W.Wu	10/5/18
TOL TABLE:				
THIS DOCUMENT IS THE PROPERTY OF TRENPRO TECHNOLOGY CO., LTD. NO PART THEREOF MAY BE REPRODUCED AND USED WITHOUT THE PRIOR WRITTEN CONSENT OF THE OWNER				

广东正宝科技有限公司  
GUANGDONG TRENPRO TECHNOLOGY CO., LTD.