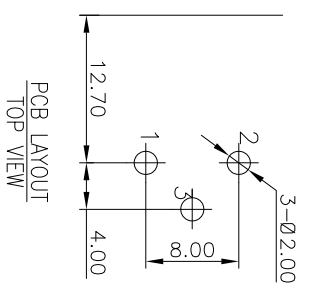
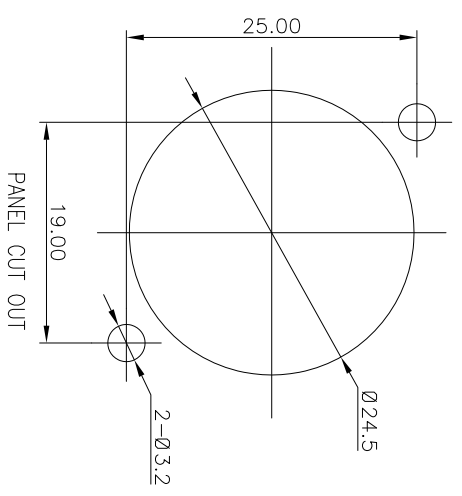
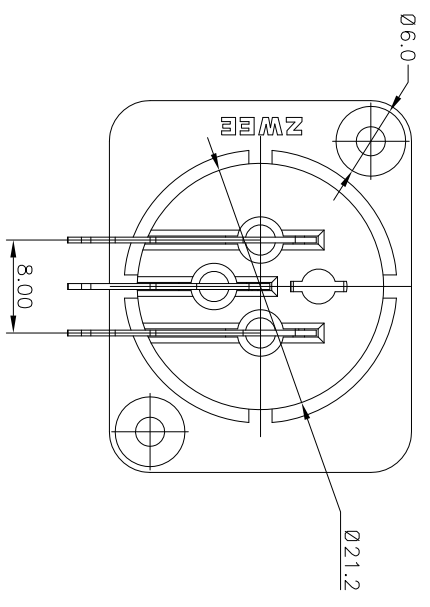
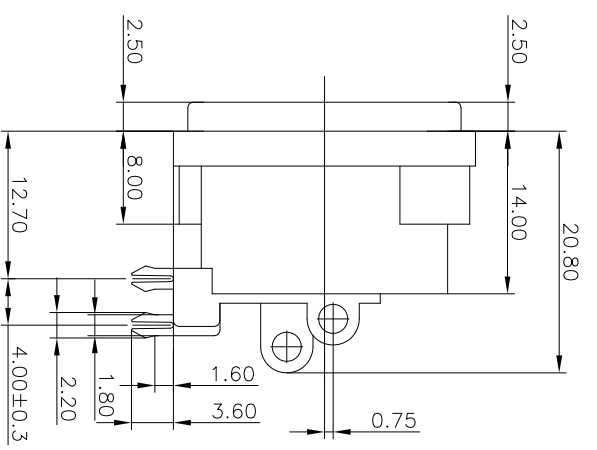
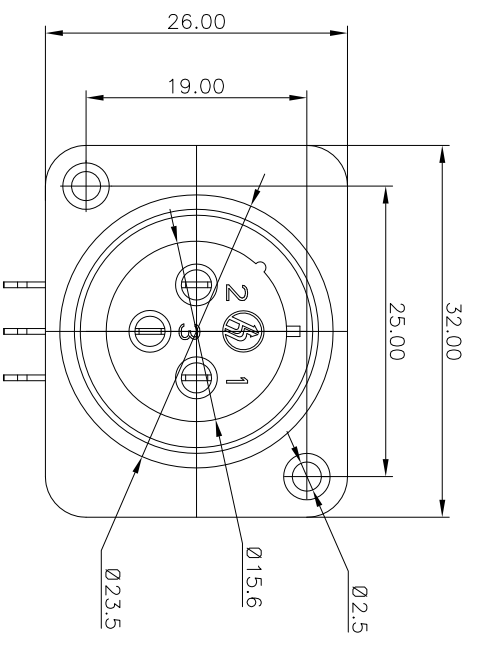


REV.	ECN NO.	MODIFIED MARK	APPROVED
A		FIRST RELEASE	



- NOTES:
- ELECTRICAL:
- 1:RATED CURRENT: 6A Max.
 - 2:RATED VOLTAGE: 50V AC.
 - 3:CONTACT RESISTANCE: 30 MILLIOHMS Max.
 - 4:INSULATION RESISTANCE: 1G OHMS Min.
 - 5:DIELECTRIC WITHSTANDING VOLTAGE: 500 VAC Min.
- MECHANICAL:
- 1:INSERTION FORCE: 5N-40N.
 - 2:WITHDRAWAL FORCE: 5N-40N.
 - 3:DURABILITY: 1000 CYCLES.
- ENVIRONMENTAL:
- TEMPERATURE RANGE: -30°C TO 80°C.

ANGLE	±5°
63 < L	±0.5
16 < L ≤ 63	±0.4
4 < L ≤ 16	±0.3
L ≤ 4	±0.2

TOL TABLE:

THIS DOCUMENT IS THE PROPERTY OF TRENPRO TECHNOLOGY CO., LTD., NO PART THEREOF MAY BE REPRODUCED AND USED WITHOUT THE PRIOR WRITTEN CONSENT OF THE OWNER

MODEL NAME: SPF-23 (PART NO.)		TITLE: XLR CABLE CONNECTORS	
MAT'L:	DESIGN: X.H.Wong 08/16'18	CHECKED: L.W.Wu 08/16'18	DWG NO.:
FINISH:	See table	APPROVED: Q.Hu 08/16'18	UNIT: mm
Q'TY: /	See table	VIEW: 5:1	SCALE: SHEET: 1/1
		SIZE: A3	REV.: A

