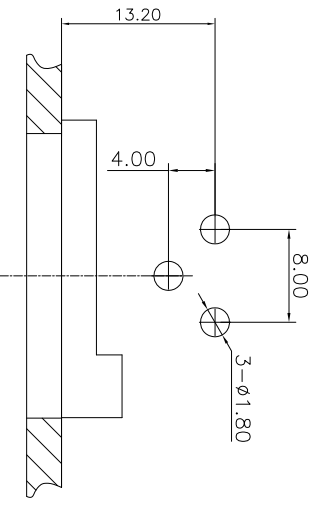
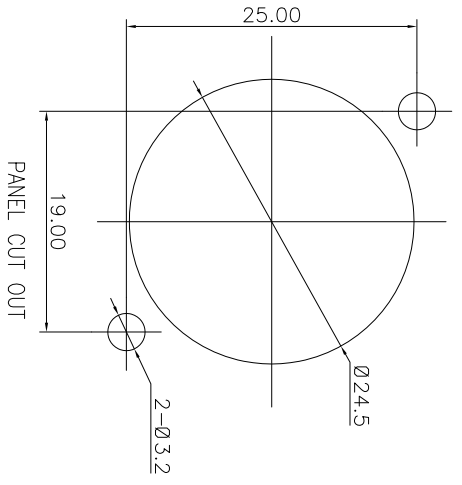
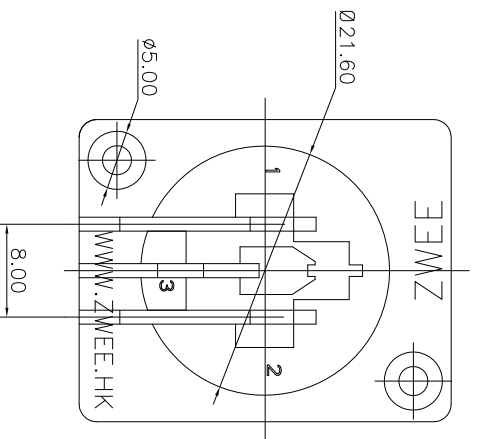
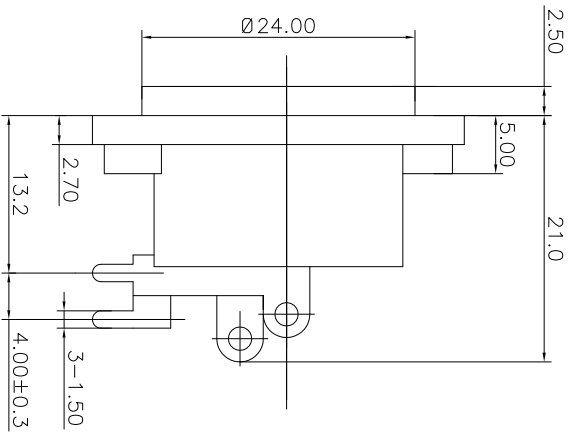
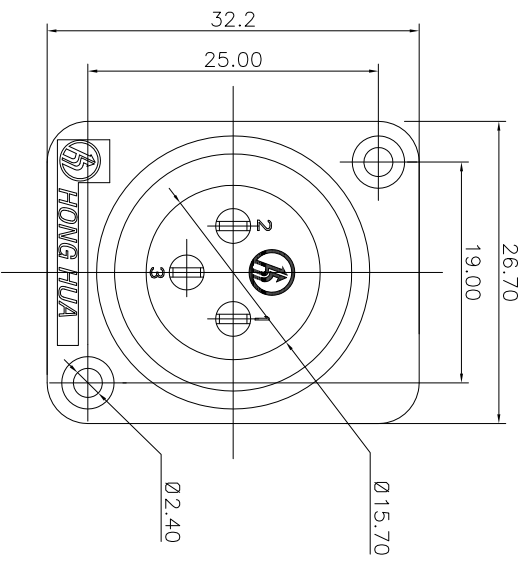


REV.	ECN NO.	MODIFIED MARK	APPROVED
A		FIRST RELEASE	



PGB LAYOUT
TOP VIEW

- NOTES:
- ELECTRICAL:
- 1: RATED CURRENT: 6A Max.
 - 2: RATED VOLTAGE: 50V AC.
 - 3: CONTACT RESISTANCE: 30 MILLIOHMS Max. AFTER TESTING: 60 MILLIOHMS Max.
 - 4: INSULATION RESISTANCE: 1G OHMS Min.
 - 5: DIELECTRIC WITHSTANDING VOLTAGE: 500 VAC Min.
- MECHANICAL:
- 1: INSERTION FORCE: 5N-40N.
 - 2: WITHDRAWAL FORCE: 5N-40N.
 - 3: DURABILITY: 1000 CYCLES.
- ENVIRONMENTAL:
- TEMPERATURE RANGE: -30°C TO 80°C.

ANGLE	±5°
63 < L	±0.5
16 < L ≤ 63	±0.4
4 < L ≤ 16	±0.3
L ≤ 4	±0.2

TOL TABLE:	
MAT'L:	See table
FINISH:	See table
Q'TY./:	See table
MODEL NAME: SPF-03C (PART NO.)	DESIGN: X.H.Wong 08/16/18
CHECKED: L.W.Wu 08/16/18	TITLE: XLR CABLE CONNECTORS
APPROVED: Q.Hu 08/16/18	DWG NO.:

广东正宝科技有限公司
GUANGDONG TREMPRO TECHNOLOGY CO. LTD.