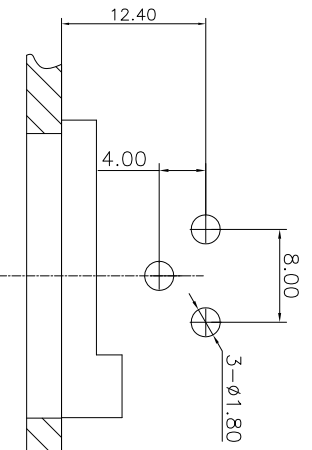
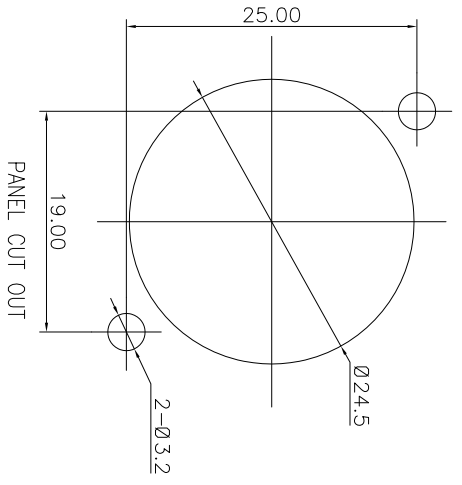
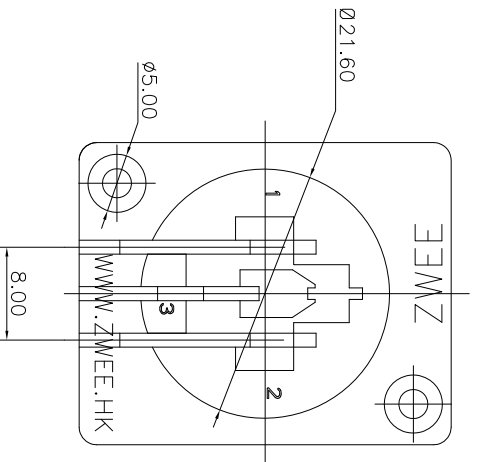
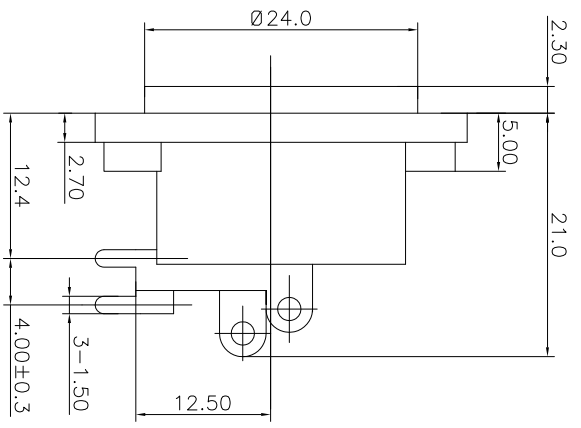
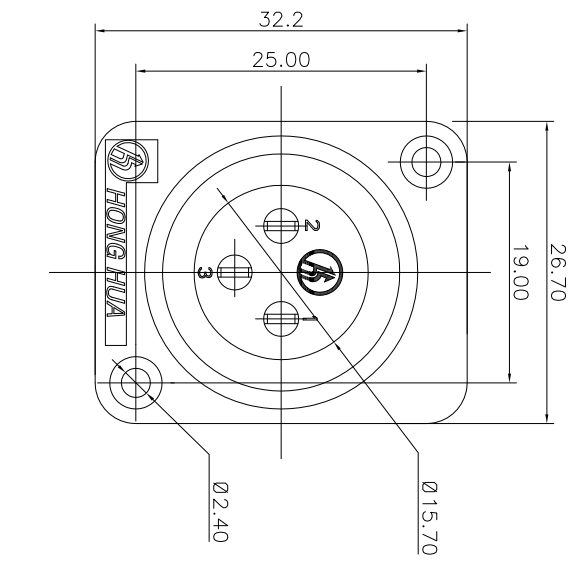


REV. A	ECN NO.	MODIFIED MARK	APPROVED
		FIRST RELEASE	



PGB LAYOUT
TOP VIEW

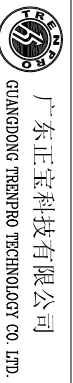
- NOTES:
- ELECTRICAL:
- 1: RATED CURRENT: 6A Max.
 - 2: RATED VOLTAGE: 50V AC.
 - 3: CONTACT RESISTANCE: 30 MILLIOHMS Max. AFTER TESTING: 60 MILLIOHMS Max.
 - 4: INSULATION RESISTANCE: 1G OHMS Min.
 - 5: DIELECTRIC WITHSTANDING VOLTAGE: 500 VAC Min.
- MECHANICAL:
- 1: INSERTION FORCE: 5N-40N.
 - 2: WITHDRAWAL FORCE: 5N-40N.
 - 3: DURABILITY: 1000 CYCLES.
- ENVIRONMENTAL:
- TEMPERATURE RANGE: -30°C TO 80°C.

ANGLE	±5°
63 < L	±0.5
16 < L ≤ 63	±0.4
4 < L ≤ 16	±0.3
L ≤ 4	±0.2

MODEL NAME: SPF-03C (PART NO.)		TITLE: XLR CABLE CONNECTORS	
DESIGN: X.H.Wong 08/16/18		DWG NO.:	
CHECKED: L.W.Wu 08/16/18		REV.: A	
QTY: /	APPROVED: Q.Hu 08/16/18	UNIT: mm	SCALE: 5:1
FINISH: See table		VIEW: 1/1	SHEET: 1/1
MAT'L: See table			SIZE: A3

TOL TABLE:

THIS DOCUMENT IS THE PROPERTY OF TRENPRO TECHNOLOGY CO., LTD. NO PART THEREOF MAY BE REPRODUCED AND USED WITHOUT THE PRIOR WRITTEN CONSENT OF THE OWNER



广东正宝科技有限公司
GUANGDONG TRENPRO TECHNOLOGY CO. LTD.