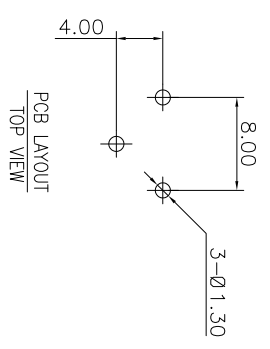
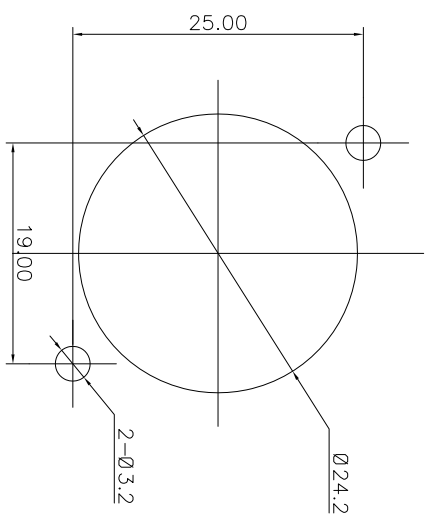
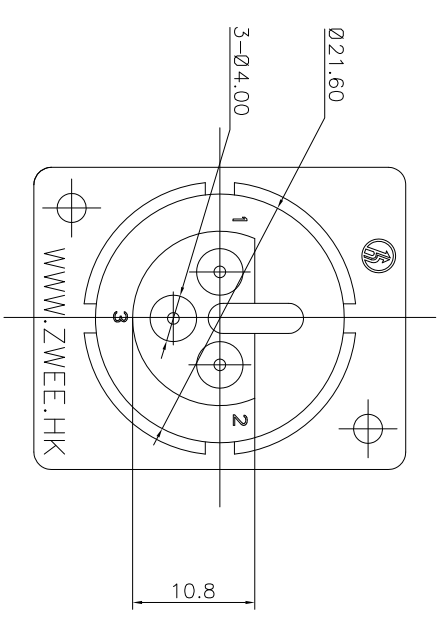
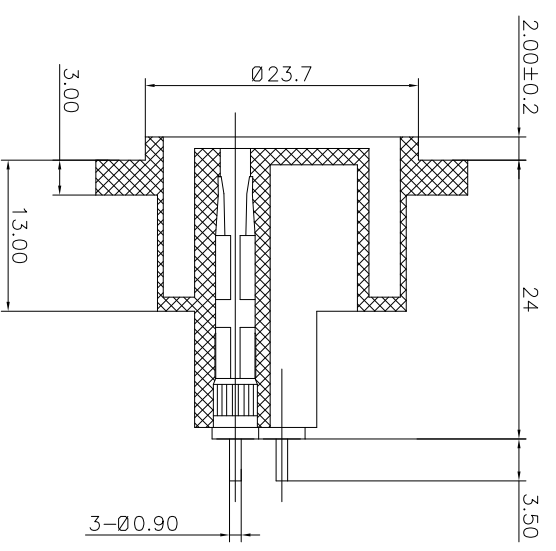
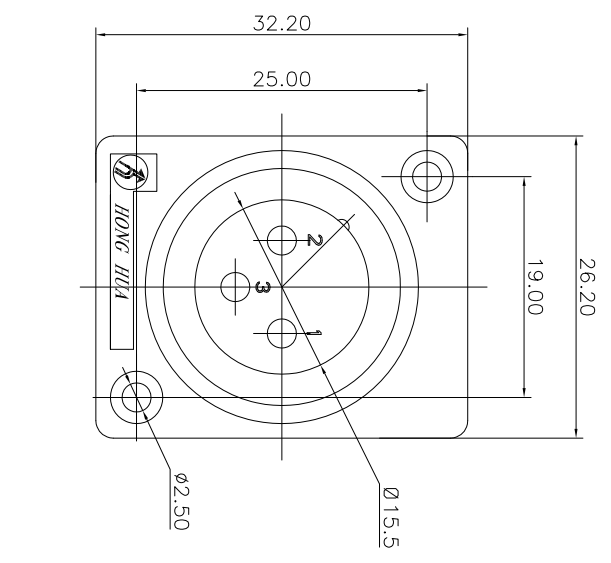


REV.	ECN NO.	MODIFIED MARK	APPROVED
A		FIRST RELEASE	



NOTES:

ELECTRICAL:

1:RATED CURRENT: 6A Max.
 2:RATED VOLTAGE: 50V AC.
 3:CONTACT RESISTANCE: 30 MILLIOHMS Max.
 AFTER TESTING:60 MILLIOHMS Max.
 4:INSULATION RESISTANCE: 1G OHMS Min.
 5:DIELECTRIC WITHSTANDING VOLTAGE: 500 VAC Min.

MECHANICAL:

1:INSERTION FORCE: 5N-40N.
 2:WITHDRAWAL FORCE: 5N-40N.
 3:DURABILITY: 1000 CYCLES.

ENVIRONMENTAL:

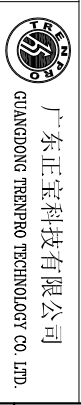
TEMPERATURE RANGE: -30°C TO 80°C.

ANGLE	±5°
63 < L	±0.5
16 < L ≤ 63	±0.4
4 < L ≤ 16	±0.3
L ≤ 4	±0.2

TOL TABLE:

THIS DOCUMENT IS THE PROPERTY OF TREPRO TECHNOLOGY CO., LTD., NO PART THEREOF MAY BE REPRODUCED AND USED WITHOUT THE PRIOR WRITTEN CONSENT OF THE OWNER

MODEL NAME: SPF-01B (PART NO.)		DESIGN: X.H.Wong 08/16/18		TITLE: XLR CABLE CONNECTORS	
MATERIAL: See table		CHECKED: L.W.Wu 08/16/18		DWG NO.:	
FINISH: See table		APPROVED: Q.Hu 08/16/18		UNIT: mm	
QTY: /		VIEW: 5:1		SCALE: SHEET: 1/1	
		REV.: A		SIZE: A3	



广东正宝科技有限公司
 GUANGDONG TREPRO TECHNOLOGY CO. LTD.

PANEL CUT OUT