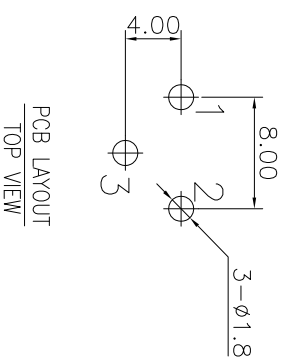
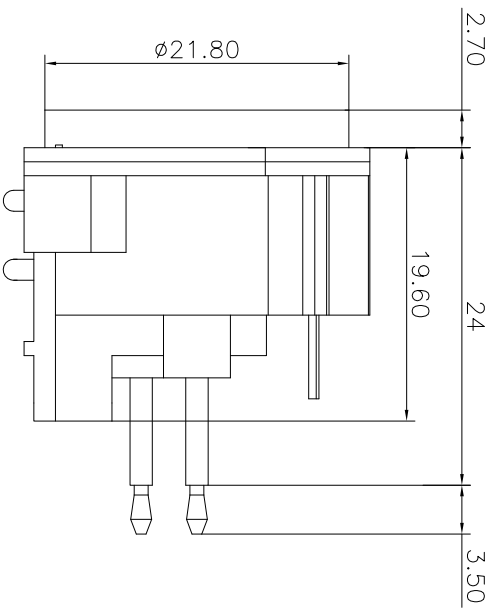
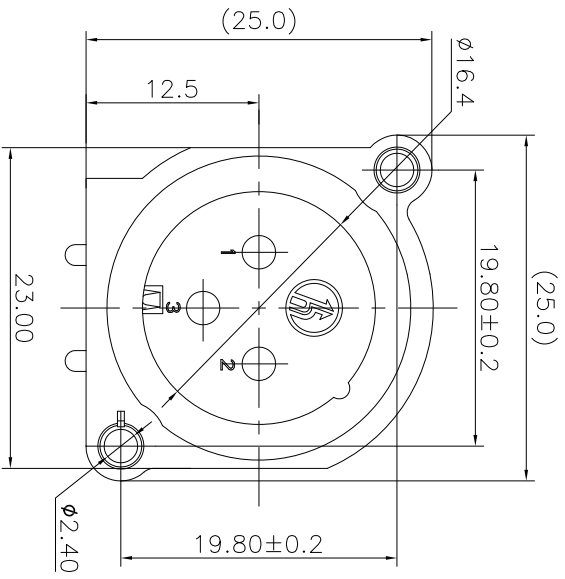
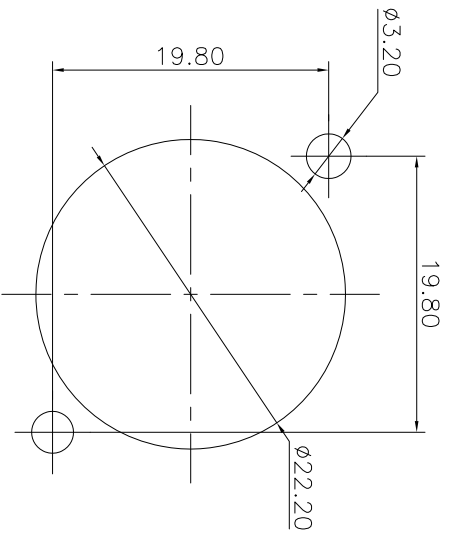


REV.	ECN NO.	MODIFIED MARK	APPROVED
A		FIRST RELEASE	



NOTES:
 ELECTRICAL:
 1:RATED CURRENT: 6A Max.
 2:RATED VOLTAGE: 50V AC.
 3:CONTACT RESISTANCE: 30 MILLIOHMS Max.
 AFTER TESTING:60 MILLIOHMS Max.
 4:INSULATION RESISTANCE: 1G OHMS Min.
 5:DIELECTRIC WITHSTANDING VOLTAGE: 500 VAC Min.
 MECHANICAL:
 1:INSERTION FORCE: 5N-40N.
 2:WITHDRAWAL FORCE: 5N-40N.
 3:DURABILITY: 1000 CYCLES.
 ENVIRONMENTAL:
 TEMPERATURE RANGE: -30°C TO 80°C.

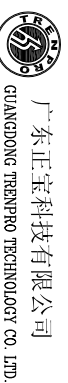


PANEL CUT OUT

ANGLE	±5°
63 < L	±0.5
16 < L ≤ 63	±0.4
4 < L ≤ 16	±0.3
L ≤ 4	±0.2

TOL TABLE:
 THIS DOCUMENT IS THE PROPERTY OF
 TREPRO TECHNOLOGY CO., LTD.,NO PART
 THEREOF MAY BE REPRODUCED AND
 USED WITHOUT THE PRIOR WRITTEN
 CONSENT OF THE OWNER

MODEL NAME: SPM-23D
 (PART NO.)



DESIGN: X.H.Wong 08/16'18 TITLE: XLR CABLE CONNECTORS

CHECKED: L.W.Wu 08/16'18 DWG NO.:

QTY: / APPROVED: Q.Hu 08/16'18 UNIT: mm VIEW: SCALE: SHEET: REV.:
 1/1 A3

