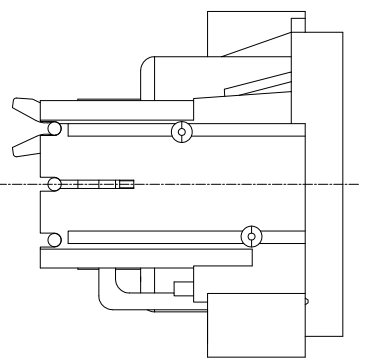
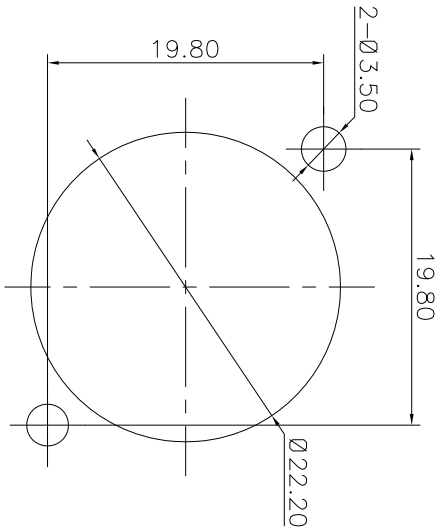
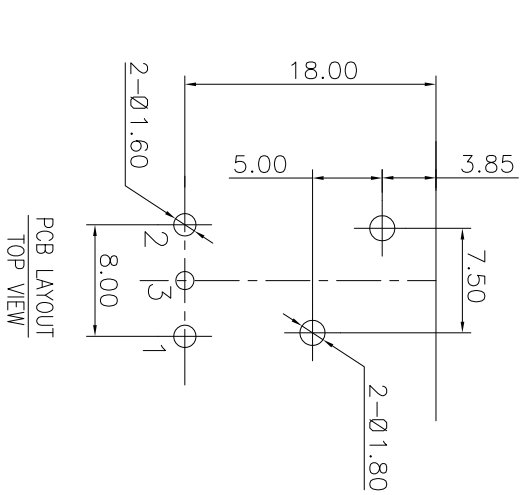
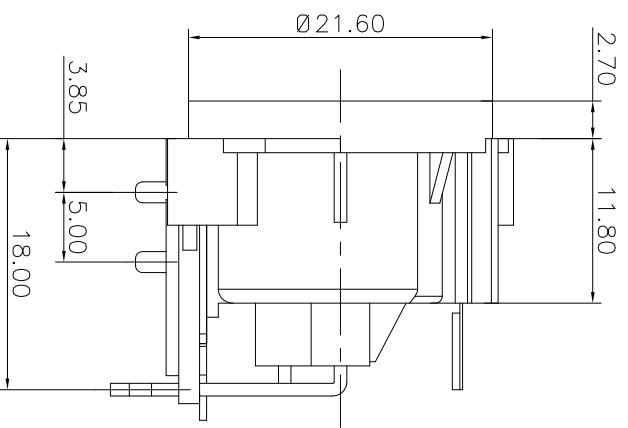
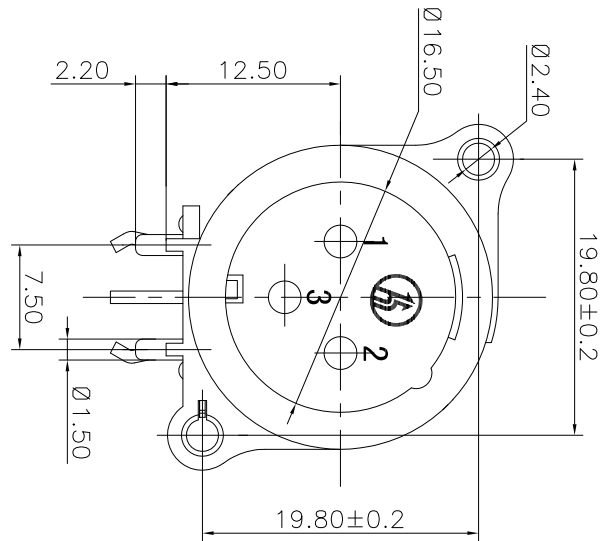


REV.	ECN NO.	MODIFIED MARK	APPROVED
A		FIRST RELEASE	



NOTES:

ELECTRICAL:

1:RATED CURRENT: 6A Max.
 2:RATED VOLTAGE: 50V AC.
 3:CONTACT RESISTANCE: 30 MILLIOHMS Max.
 AFTER TESTING:60 MILLIOHMS Max.
 4:INSULATION RESISTANCE: 1G OHMS Min.
 5:DIELECTRIC WITHSTANDING VOLTAGE: 500 VAC Min.

MECHANICAL:

1:INSERTION FORCE: 5N-40N.
 2:WITHDRAWAL FORCE: 5N-40N.
 3:DURABILITY: 1000 CYCLES.
 ENVIRONMENTAL:
 TEMPERATURE RANGE: -30°C TO 80°C.

ANGLE	±5°
63 < L	±0.5
16 < L ≤ 63	±0.4
4 < L ≤ 16	±0.3
L ≤ 4	±0.2

TOL TABLE:		THIS DOCUMENT IS THE PROPERTY OF TREPRO TECHNOLOGY CO.,LTD.,NO PART THEREOF MAY BE REPRODUCED AND USED WITHOUT THE PRIOR WRITTEN CONSENT OF THE OWNER	
MODEL NAME: SPM-22C (PART NO.)	MAT'L:	DESIGN: X.H.Wong	DATE: 08/16/18
	FINISH:	CHECKED: L.W.Wu	DATE: 08/16/18
	Q'TY: /	APPROVED: Q.Hu	DATE: 08/16/18
	UNIT: mm	VIEW: 5:1	SHEET: 1/1
	SCALE: 5:1	SHEET: 1/1	SIZE: A3
	REV: A	DWG NO.:	
		TITLE: XLR CABLE CONNECTORS	
		GUANGDONG TREPRO TECHNOLOGY CO.,LTD.	
		广东正宝科技有限公司	