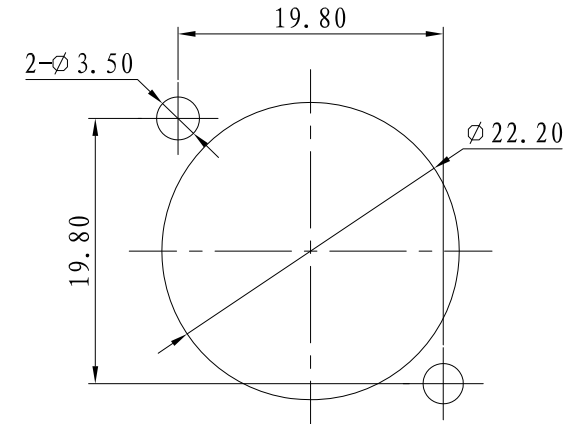
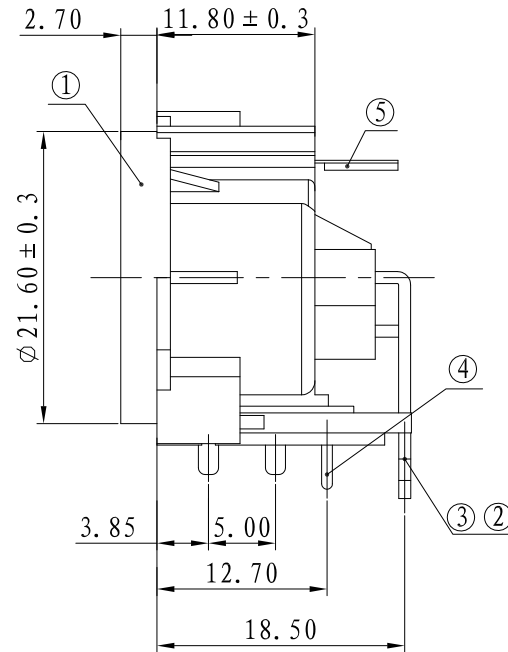
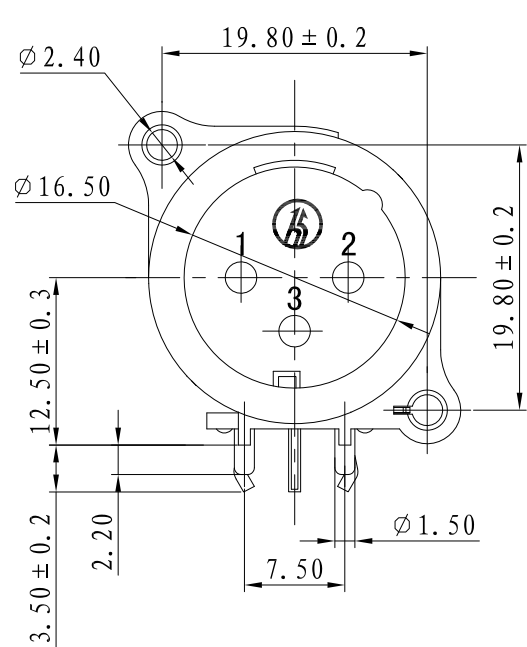
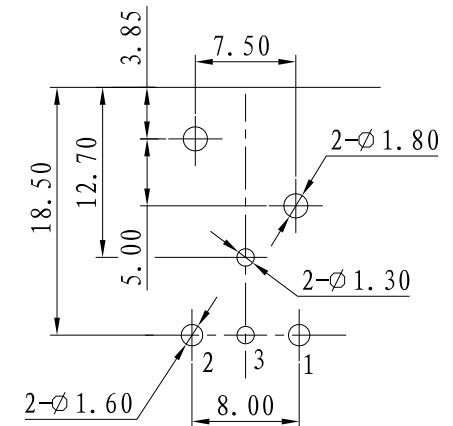


ALLOWANCE	
UNDER 3	± 0.1
3 TO 6	± 0.15
6 TO 15	± 0.2
15 TO 50	± 0.25
50 OVER	± 0.3



PANEL CUT OUT



PCB LAYOUT
TOP VIEW

仅供参考

5	TERMINAL-D	SPCC t=0.4	1	Ni PLATED	MODEL NO: SPM-22	ALLOWANCE:	DRAWN BY: WXH 18.6.16
4	TERMINAL-C	BRONZE t=0.5	1	Ag PLATED			
3	TERMINAL-B	BRASS	2	Au PLATED	MATERIAL NO:	SCALE:	APPROVED BY: HXQ 18.6.16
2	TERMINAL-A	BRASS	1	Au PLATED			
1	HOUSE	PA66	1	BLACK			
NO:	PART NAME	MATERIAL	QTY	FINISHING			