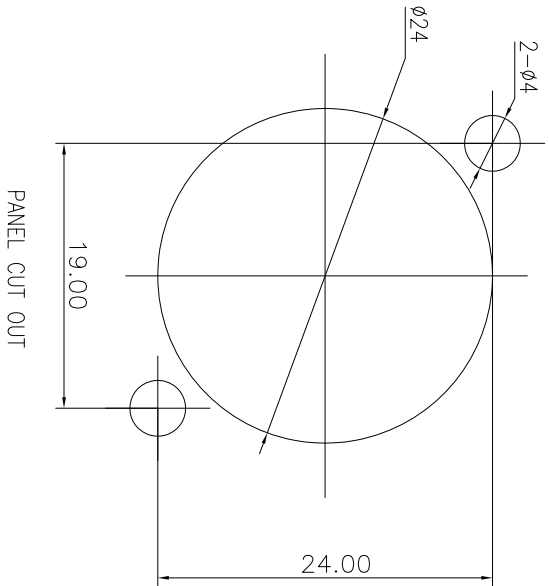
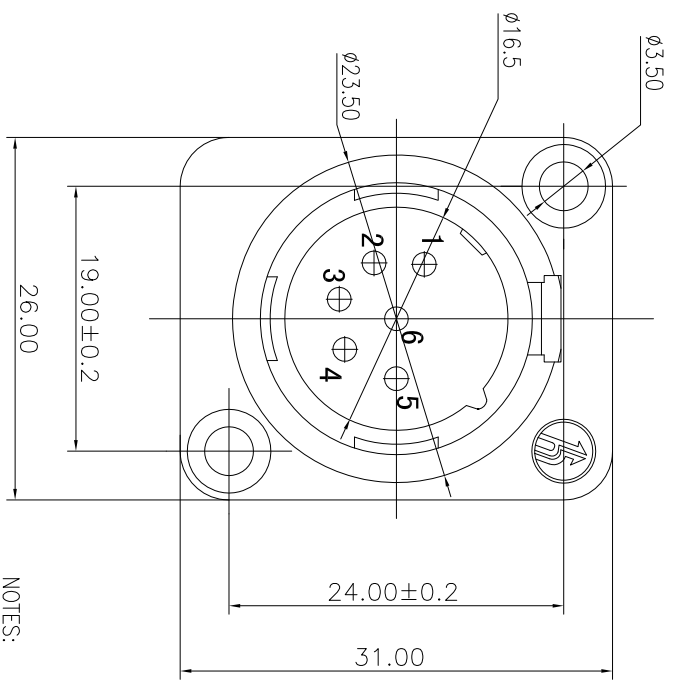
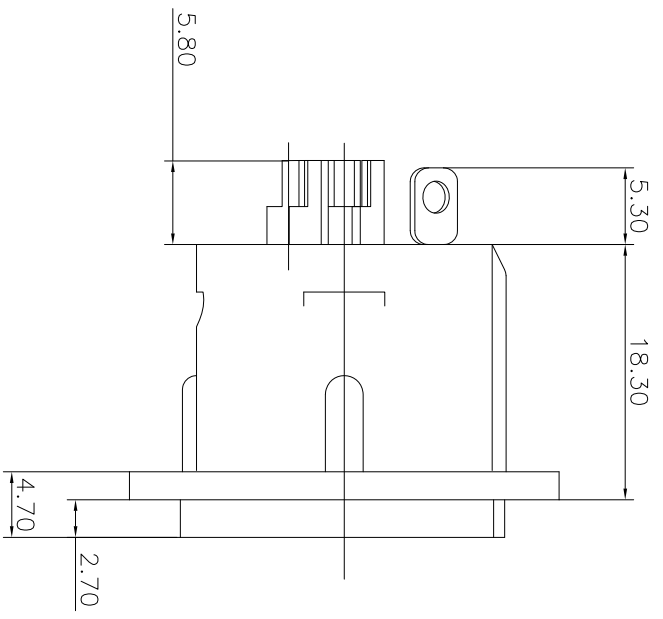


REV.	ECN NO.	MODIFIED MARK	APPROVED
A	—	FIRST RELEASE	



NOTES:
 ELECTRICAL:
 1: RATED CURRENT: 3A Max.
 2: RATED VOLTAGE: 50V AC.
 3: CONTACT RESISTANCE: 30 MILLIOHMS Max.
 AFTER TESTING: 60 MILLIOHMS Max.
 4: INSULATION RESISTANCE: 1G OHMS Min.
 5: DIELECTRIC WITHSTANDING VOLTAGE: 500 VAC Min.
 MECHANICAL:
 1: INSERTION FORCE: 5N-40N.
 2: WITHDRAWAL FORCE: 5N-40N.
 3: DURABILITY: 1000 CYCLES.
 ENVIRONMENTAL:
 TEMPERATURE RANGE: -30°C TO 80°C.

ANGLE	±5°
63 < L	±0.5
16 < L ≤ 63	±0.4
4 < L ≤ 16	±0.3
L ≤ 4	±0.2

TOL TABLE:
 THIS DOCUMENT IS THE PROPERTY OF
 TREPRO TECHNOLOGY CO., LTD. NO PART
 THEREOF MAY BE REPRODUCED AND
 USED WITHOUT THE PRIOR WRITTEN
 CONSENT OF THE OWNER

MODEL NAME: SPM6-21 (PART NO.)	TITLE: XLR CABLE CONNECTORS	
DESIGN: X.H.Wong 08/16/18	CHECKED: L.W.Wu 08/16/18	DWG NO.:
FINISH: See table	Q'TY: /	APPROVED: Q.Hu 08/16/18
UNIT: mm	VIEW:	SCALE: 5:1
SHEET: 1/1	SIZE: A3	REV.: A

广东正宝科技有限公司
 GUANGDONG TREPRO TECHNOLOGY CO. LTD.