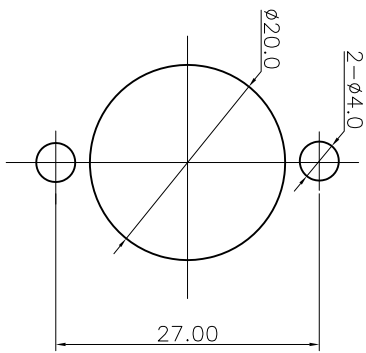
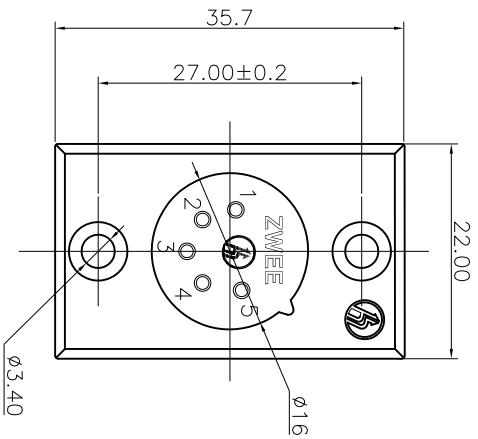
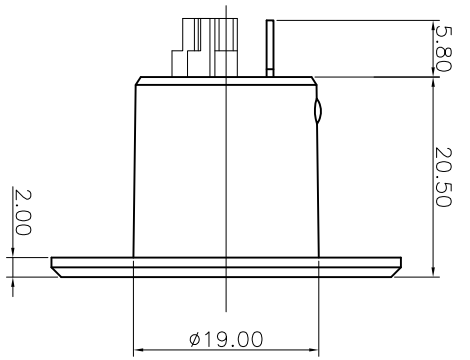
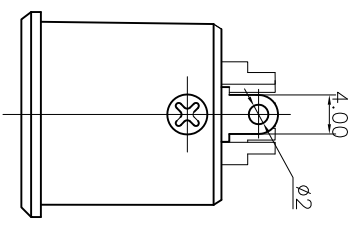


REV.	ECN NO.	MODIFIED MARK	APPROVED
A	—	FIRST RELEASE	



PANEL CUT OUT



- NOTES:
- ELECTRICAL:
- 1: RATED CURRENT: 3A Max.
 - 2: RATED VOLTAGE: 50V AC.
 - 3: CONTACT RESISTANCE: 30 MILLIOHMS Max.
 - 4: INSULATION RESISTANCE: 1G OHMS
 - 5: DIELECTRIC WITHSTANDING VOLTAGE: 500 VAC Min.
- MECHANICAL:
- 1: INSERTION FORCE: 5N-40N.
 - 2: WITHDRAWAL FORCE: 5N-40N.
 - 3: DURABILITY: 1000 CYCLES.
- ENVIRONMENTAL:
- TEMPERATURE RANGE: -30°C TO 80°C.

ANGLE	±5°	MODEL NAME: SPM5-20		TITLE: XLR CABLE CONNECTORS		REV.: A
63 < L	±0.5	(PART NO.)		DESIGN: X.H.Wong 08/16/18		DWG NO.:
16 < L ≤ 63	±0.4	MATERIAL: See table		CHECKED: L.W.Wu 08/16/18		UNIT: mm
4 < L ≤ 16	±0.3	FINISH: See table		APPROVED: Q.Hu 08/16/18		VIEW:
L ≤ 4	±0.2	TOL TABLE:		QTY: /		SCALE: 5:1
<p>THIS DOCUMENT IS THE PROPERTY OF TREPRO TECHNOLOGY CO., LTD. NO PART THEREOF MAY BE REPRODUCED AND USED WITHOUT THE PRIOR WRITTEN CONSENT OF THE OWNER</p>						
		 广东正宝科技有限公司 GUANGDONG TREPRO TECHNOLOGY CO. LTD.				SHEET: 1/1
						SIZE: A3