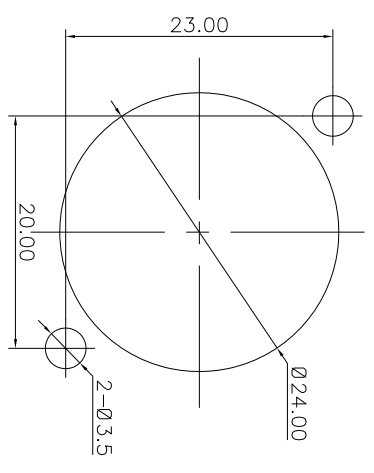
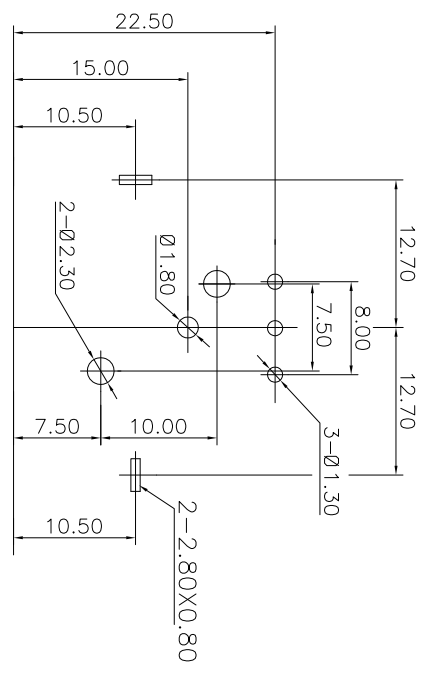
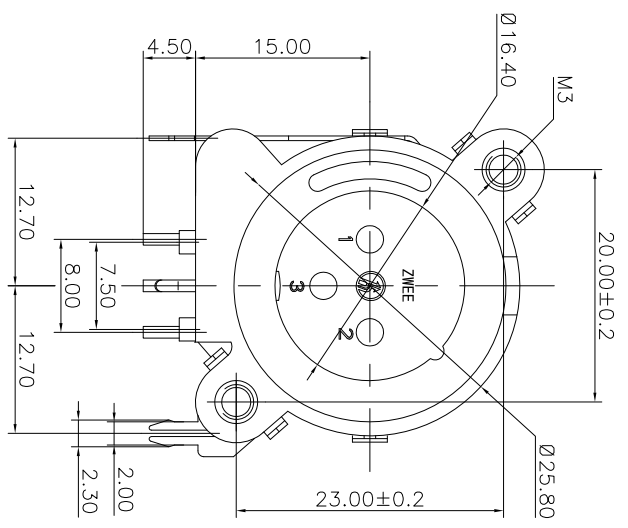
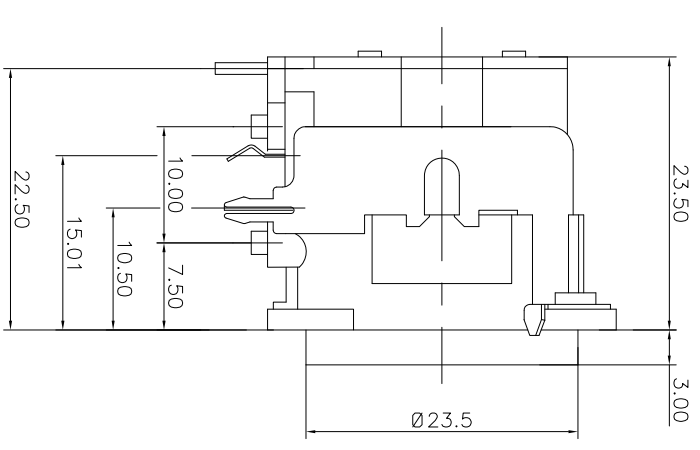


| | | | |
|------|---------|---------------|----------|
| REV. | ECN NO. | MODIFIED MARK | APPROVED |
| A | | FIRST RELEASE | |



PANEL CUT OUT

- NOTES:
- ELECTRICAL:
- 1: RATED CURRENT: 6A Max.
 - 2: RATED VOLTAGE: 50V AC.
 - 3: CONTACT RESISTANCE: 30 MILLIOHMS Max.
 - 4: INSULATION RESISTANCE: 60 MILLIOHMS Max.
 - 5: DIELECTRIC WITHSTANDING VOLTAGE: 500 VAC Min.
- MECHANICAL:
- 1: INSERTION FORCE: 5N-40N.
 - 2: WITHDRAWAL FORCE: 5N-40N.
 - 3: DURABILITY: 1000 CYCLES.
- ENVIRONMENTAL:
- TEMPERATURE RANGE: -30°C TO 80°C.

| | |
|-------------|------|
| ANGLE | ±5° |
| 63 < L | ±0.5 |
| 16 < L ≤ 63 | ±0.4 |
| 4 < L ≤ 16 | ±0.3 |
| L ≤ 4 | ±0.2 |

TOL TABLE:

THIS DOCUMENT IS THE PROPERTY OF
TRENPRO TECHNOLOGY CO., LTD. NO PART
HEREOF MAY BE REPRODUCED AND
USED WITHOUT THE PRIOR WRITTEN
CONSENT OF THE OWNER

| | | | |
|----------------------------------|---------------------------|-----------------------------|------------|
| MODEL NAME: SPM-18 (PART NO.) | DESIGN: X.H.Wong 08/16/18 | TITLE: XLR CABLE CONNECTORS | REV.: A |
| MAT'L: See table | CHECKED: L.W.Wu 08/16/18 | DWG NO.: | |
| FINISH: See table | APPROVED: Q.Hu 08/16/18 | UNIT: mm | VIEW: 1/1 |
| Q'TY: / | | SCALE: 5:1 | SHEET: 1/1 |
| | | | SIZE: A3 |

